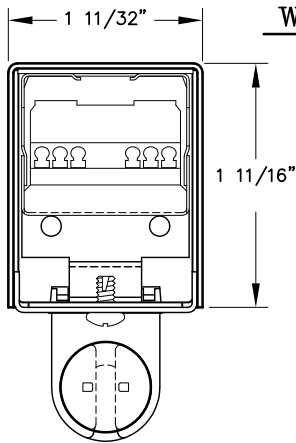


BASIS SERIES SURFACE MOUNTED INSTALLATION INSTRUCTIONS

WARNING: GROUND FIXTURE IN ACCORDANCE WITH LOCAL AND NATIONAL ELECTRICAL CODES. FAILURE TO DO SO MAY RESULT IN SERIOUS PERSONAL INJURY.



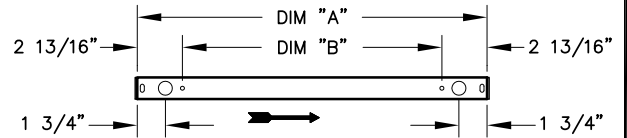
CROSS SECTION

GENERAL NOTES

- 1- SEE ROW DIAGRAM OR PRUDENTIAL LIGHTING PLAN LAYOUT (IF PROVIDED.) BEGIN ALL ROW MOUNTING FROM LEFT TO RIGHT, (SEE ARROWS).
- 2- DEPENDING UPON CEILING CONSTRUCTION STRUCTURAL SUPPORT MAY BE REQUIRED AT MOUNTING HOLE LOCATIONS.

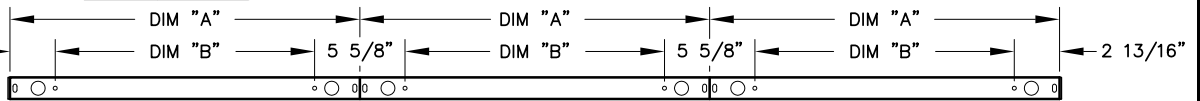
SURFACE MOUNT DIMENSIONS (T5)	
DIM. "A"	DIM. "B"
22 7/8"	17 1/4"
34 11/16"	29 1/16"
46 1/2"	40 7/8"
58 3/8"	52 3/4"
69 3/8"	63 3/4"
93"	87 3/8"

SURFACE MOUNT DIMENSIONS (T8)	
DIM. "A"	DIM. "B"
24"	18 3/8"
36"	30 3/8"
48"	42 3/8"
72"	66 3/8"
96"	90 3/8"



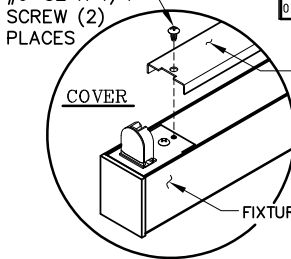
INDIVIDUAL MOUNTING

○ = 1/4" DIA. MOUNTING HOLE ◯ = 7/8" DIAMETER K.O.

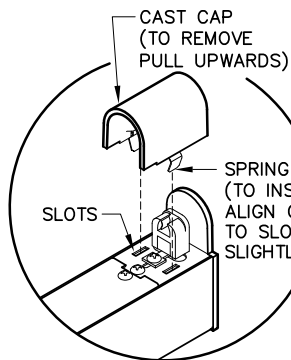


CONTINUOUS ROW MOUNTING PLAN

#6-32 X 1/4" SCREW (2) PLACES



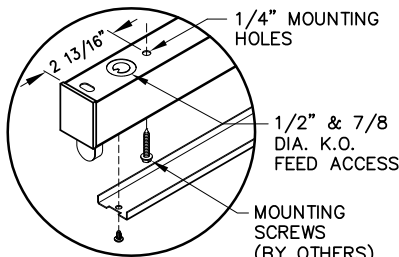
COVER (IF NECESSARY REMOVE TO EXPOSE MOUNTING HOLES & BALLAST LEAD WIRES.)



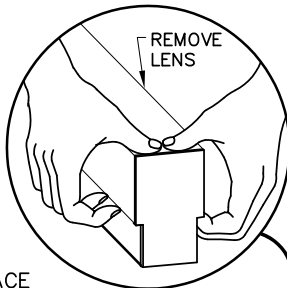
CAST CAP (TO REMOVE PULL UPWARDS)

SPRING CLIPS (TO INSTALL ALIGN CLIPS TO SLOTS AND SLIGHTLY PUSH IN)

STRAND SERIES W/CAST CAP DETAIL

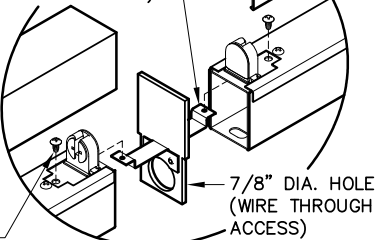


CEILING OR WALL MOUNT SKETCH 1

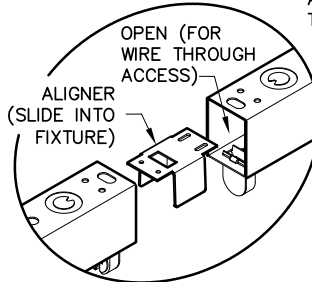


REMOVE LENS

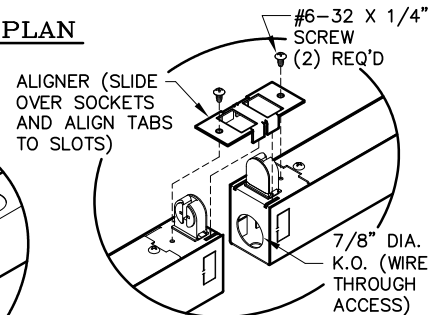
ALIGNER (SLIDE INTO FIXTURE)



HALF SNAP SERIES JOINTING DETAIL

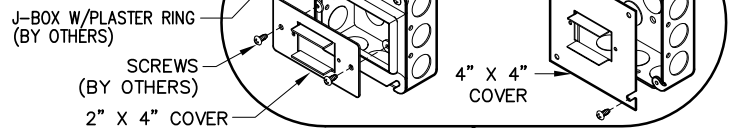


EDGE & STRAND SERIES JOINTING DETAIL

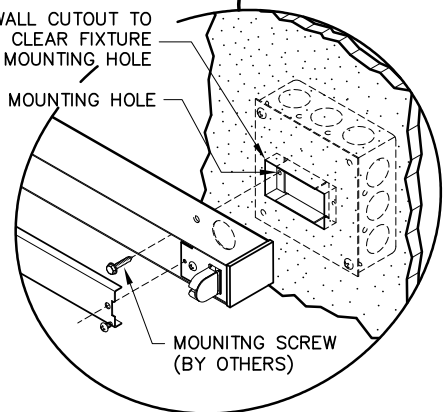


STRING SERIES JOINTING DETAIL

OPTIONAL ELECTRICAL BOX COVERS



OPTIONAL ELECTRICAL BOX COVERS



OPTIONAL ELECTRICAL BOX COVERS

7/8" DIA. K.O. WILL ACCOMMODATE 2" X 4" OR 4" X 4" J-BOX.

GENERAL MOUNTING NOTES

- 1-MOUNT FIXTURE TO CEILING SURFACE THROUGH 1/4" DIA. HOLES (MOUNTING SCREWS PROVIDED BY OTHERS.) (SEE SKETCH 1.)

CONTINUOUS ROW

- 2-SLIDE ADJOINING FIXTURE ONTO ALIGNER SPLINES, (SEE JOINTING DETAILS). LOOSELY MOUNT FIXTURE TO CEILING SURFACE. COUPLE FIXTURES END TO END WITH #6-32 X 1/4" SELF TAPPING SCREWS PROVIDED. SECURE FIXTURE TO CEILING SURFACE.

- 3-MAKE ALL NECESSARY WIRE CONNECTIONS. INSTALL COVER AND LENS.

#6-32 X 1/4" SCREW (2) REQ'D



1774 EAST 21ST STREET L.A. CA 90058
TEL. (213)746-0360 FAX (213)746-8838

PRUDENTIAL LTG. WWW.PRULITE.COM

DRAWN BY: R. CORTEZ
DATE: 4.3.12
CHK. DATE:

DWG. No. 72438

DISK No. ZE-3
REV. D