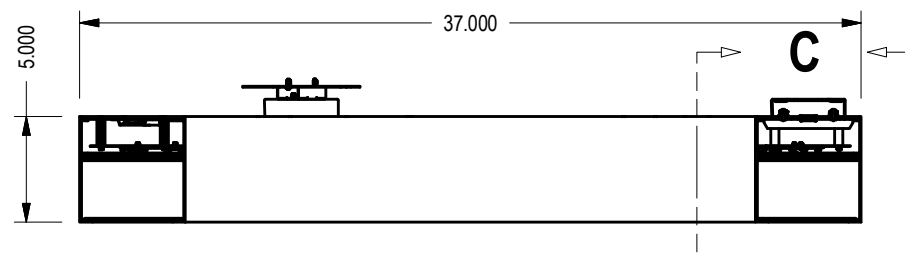


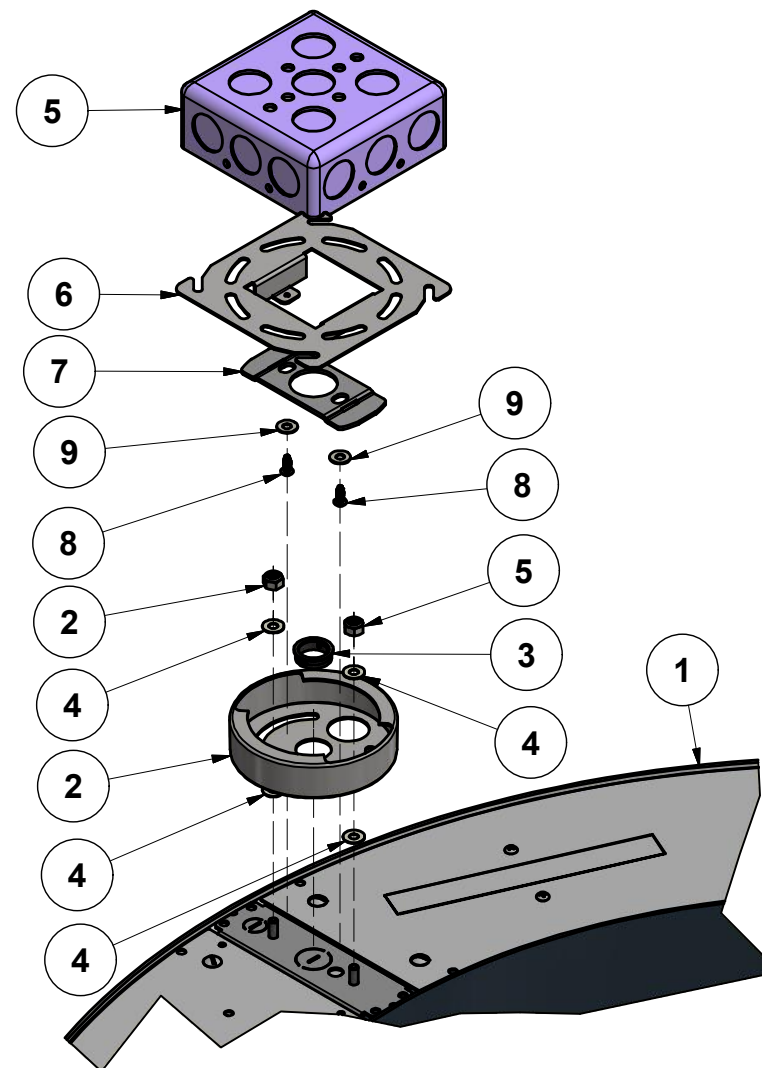
**SURFACE MOUNTING PLAN**  
SCALE 0.11 : 1



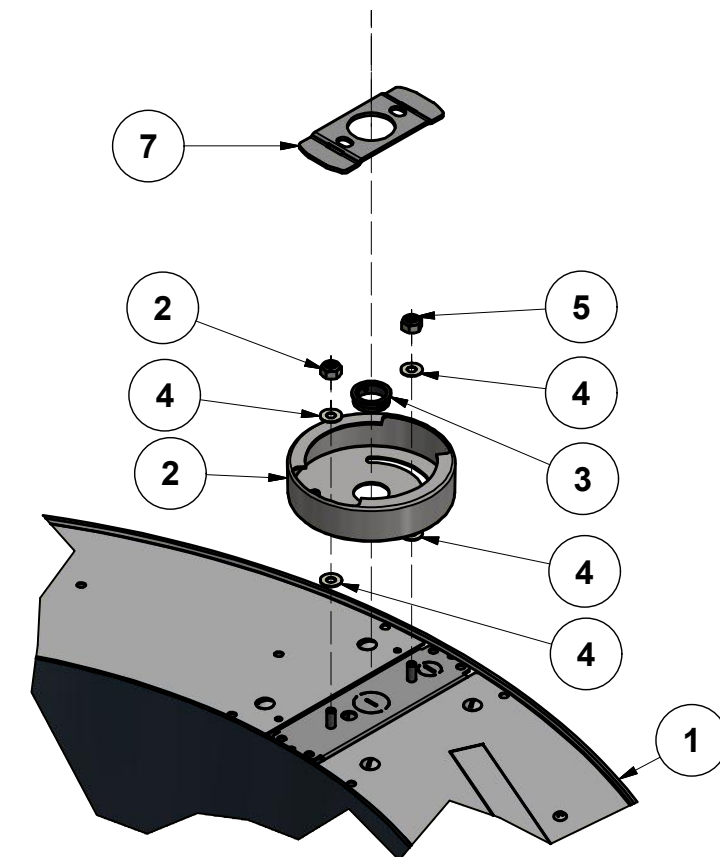
**SECTION B-B**  
SCALE 0.11 : 1

### SURFACE MOUNT TOP ASSEMBLY

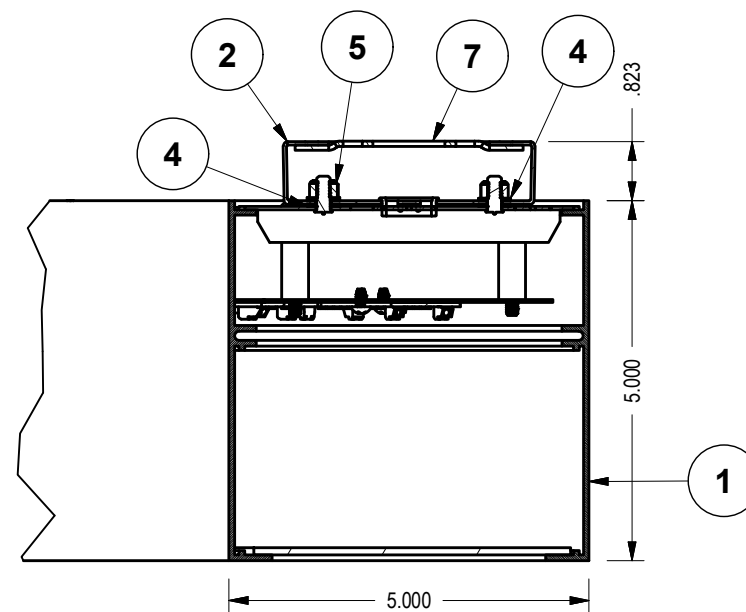
ITEM	QTY	PART NUMBER	DESCRIPTION
1	1		"O" TOP ASSEMBLY
2	3	100-00357-07	SURFACE MOUNT SPINNING CANOPY
3	3	10-00039-10	BUSHING, 3/4" X DIA. HEYCO 2836
4	12	100-00275-14	NYLON FLAT WASHER .450 O.D. X .200 I.D. #10
5	6	100-00276-14	STEEL 10-24 NYLON INSERT LOCKNUT
6	1	91065	O_SURFACE MOUNT PLASTER PLATE
5	1		4" X 4" J-BOX "BY OTHERS"
7	3	101732	SURFACE MOUNT CEILING PLATE
8	2	100-00024-20	#6-32 X 3/8" PHIL. PAN HD. TYPE F
9	2	91083A009	No. 8 x 7/16" o.d. WASHER



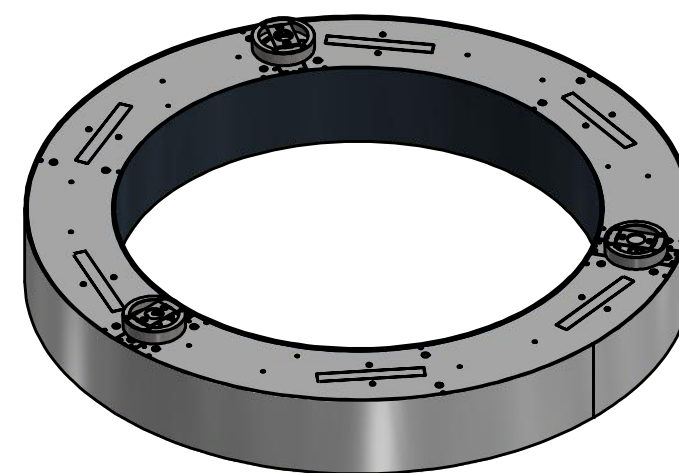
**POWER FED EXPLODED VIEW**  
SCALE 1 / 4



**NON POWER FEED EXPLODED VIEW**  
SCALE 1 / 4



**DETAIL C**  
SCALE 3/8



**ASSEMBLY ISO. VIEW**  
SCALE 3/32

REV	DESCRIPTION	DATE	DRAWN BY	APPROVED

PROJECT	DESC	MATERIAL	FINISH	PART#
				O_3FT SURFACE MOUNT TOP ASSY

REV	SCALE	SHEET	APPR	DATE	CHECK	DATE	DRAWN
	0.11 : 1	1 of 1					KCasey
							7/28/2017