



# P3900 | Pendant & Surface

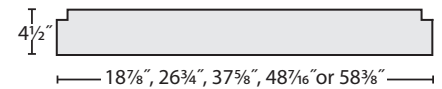


PRUDENTIAL LTG.

PRULITE.COM 213.746.0360

Type:

Job:



### A top-selling classic.

Hand-spun steel housing with a soft radius edge. Often partnered with our P8900 recessed rounds. Compare with our new P4000. Twenty one premium colors (no set-up fee).

NEW 5' size now available.

**P3930 - LED35-SO-D1**  
 11889 Delivered Lumens  
 113 Watts  
 106 lm/w



NOTE: P3900 and P4000

### LUMEN OUTPUT: Direct (D1)

D9 on next page



|      |    | LO    | MO    | SO    | HO    |
|------|----|-------|-------|-------|-------|
| 18": | lm | 950   | 1650  | 1950  | 2150  |
|      | w  | 19    | 33    | 39    | 47    |
| 2':  | lm | 2100  | 3150  | 3900  | 4100  |
|      | w  | 35    | 54    | 67    | 97    |
| 3':  | lm | 5800  | 9100  | 11889 | 17700 |
|      | w  | 56    | 87    | 113   | 177   |
| 4':  | lm | 9200  | 11500 | 18200 | 28000 |
|      | w  | 88    | 110   | 174   | 281   |
| 5':  | lm | 12500 | 20000 | 26750 | 39000 |
|      | w  | 120   | 200   | 270   | 400   |

Lumen output may vary +/- 5% 3500K used for lm/ft estimates above 4000K +2% llf, 3000K -2%, 2700K -4% -10% LLF for 90 CRI (4K, 3500K and 3K)

See LED Details PDF for more info

| SERIES            | LED COLOR   | OUTPUT   | SHIELDING   | COLOR/FINISH                     | DISTRIBUTION   | CIRCUITING   | VOLTAGE   | MOUNTING   | CEILING SYSTEMS        | DRIVERS  | OPTIONS  |
|-------------------|---|--|---|----------------------------------|--|--|---|--|------------------------|--|--|
| P3918<br>18" Dia. | LED27<br>2700K<br>(90CRI)                                 | LO Low   | FWA<br>Flat White<br>Acrylic Lens                       | TMW<br>Textured<br>Matte White   | D1<br>Direct   | SC<br>Single<br>Circuit                                      | UNV<br>(120-<br>277)  | SUR<br>Surface Mount<br>(P3950 T-bar —<br>consult factory)   | X1 T-Bar<br>Exposed    | ND Non-Dimming   | EML<br>Emergency<br>Battery, Low<br>(P3918: 400; P3920:<br>500; P3930 & P3940:<br>900 delivered<br>lumens)   |
| P3920<br>2" Dia.  | LED3<br>3000K   | MO<br>Medium   | VWA<br>Convex<br>White Acrylic<br>Lens<br>(1" Max Drop) | YGW<br>Gloss White<br>(Standard) | D9<br>Semi-<br>Direct<br>(20-30%<br>uplight,<br>NA Sur-<br>face) | DC<br>Dual<br>Circuit<br>(Two feeds<br>required,<br>D9 only) | 347<br>(Emer-<br>gency<br>battery<br>requires<br>a Step<br>Down<br>trans-<br>former)                              | MPCA<br>Monopoint<br>Mounting<br>(For 18" & 2' - 9"<br>min. from fixt. to<br>ceiling, for 3' & 4'<br>fixt. 18" from fixt. to<br>ceiling. NA P3950) | X3 Hard<br>Ceiling     | DM10 0-10v, 10% Dimming<br>(Standard)  | EMH<br>Emergency<br>Battery, High<br>(NA - 18" and 2',<br>P3930 & P3940:<br>1250 delivered<br>lumens)        |
| P3930<br>3" Dia.  | LED35<br>3500K  | SO<br>Standard   |   | Y<br>Premium<br>Color            | NOTE: 18",<br>2' NA - D9<br>LO                                   |  | CA48", 96"<br>or 144"<br>Aircraft Cable<br>(Adjustable, P3950<br>— consult factory)                               | X6<br>Slot Grid  | DM01 0-10v, 1% Dimming | STEP Step Dimming,<br>100-50-Off, Osram<br>NOTE: Lumens and watts per foot may<br>differ for STEP drivers, consult factory | IBC Insulated<br>Braided Cord  |
| P3940<br>4" Dia.  | LED4<br>4000K   | HO<br>High   |   | CC<br>Custom<br>Color            |  |  | SSC<br>Top-Swivel<br>Stem Mount for<br>Hard Ceilings<br>(Specify length in<br>inches, P3950 —<br>consult factory) |  | ECO 1% 0-10v, EldoLED  | LDE5 5-Series<br>EcoSystem LED<br>LDE1 Hi-lume 1%<br>EcoSystem LED<br>(Soft fade on, fade-to-black dimming)                | PRUBIN<br>Meticulous<br>Binning and<br>Labeling every<br>LED Board<br>within a 2-Step<br>MacAdams<br>Ellipse |
| P3950<br>5" Dia.  | LED3-90<br>90CRI<br>LED35-90<br>90CRI<br>LED4-90<br>90CRI | PROG<br>Program-<br>mable Light<br>Output<br>(Specify desired<br>lm or w/ fixture)<br>NOTE: Specify<br>separate output<br>Down/Up if<br>desired e.g. HO/<br>LO (D9 only) |   |                                  |  |  |   |  | ECO 1% 0-10v, EldoLED  | LTE Hi-lume 1% 2-wire LED<br>Driver (120V forward phase only)  |  |
|                   |   |  |   |                                  |  |  |   |  | ECDA 1% DALI, EldoLED  | SOLO 0.1% 0-10v, EldoLED<br>(Dim to Dark)  |  |
|                   |   |  |   |                                  |  |  |   |  |                        | SODA 0.1% DALI, EldoLED<br>(Dim to Dark)   |  |



Prudential Ltg. reserves the right to change design specifications or materials without notice. Please visit prulite.com for most current data. © 2014 All rights reserved - All products manufactured at: Prudential Ltg. 1774 E. 21st Street, Los Angeles, CA 90058

Sky Oculus Series

1

02-27-2019



# P3900 | Pendant & Surface



PRUDENTIAL LTG.

PRULITE.COM 213.746.0360

## D1

### Standard Output:

P3930-LED35-SO-VWA-D1

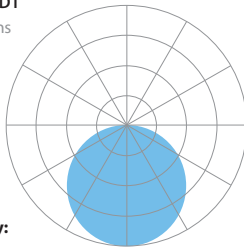
11889 Delivered Lumens

113 Watts

106 lm/w

3500 CCT

Test #L031511001



### Zonal Lumen Summary:

0-90 = 100%

4543

| Vertical Angle | 0°   | 25°  | 45°  | 65°  | 90°  |
|----------------|------|------|------|------|------|
| 0°             | 4543 | 4543 | 4543 | 4543 | 4543 |
| 5°             | 4524 | 4524 | 4524 | 4524 | 4524 |
| 15°            | 4353 | 4353 | 4353 | 4353 | 4353 |
| 25°            | 4034 | 4034 | 4034 | 4034 | 4034 |
| 35°            | 3584 | 3584 | 3584 | 3584 | 3584 |
| 45°            | 2935 | 2935 | 2935 | 2935 | 2935 |
| 55°            | 2081 | 2081 | 2081 | 2081 | 2081 |
| 65°            | 1282 | 1282 | 1282 | 1282 | 1282 |
| 75°            | 527  | 527  | 527  | 527  | 527  |
| 85°            | 126  | 126  | 126  | 126  | 126  |
| 90°            | 0    | 0    | 0    | 0    | 0    |

### Luminance Chart:

| Angle | 0°   | 45°  | 90°  |
|-------|------|------|------|
| 45°   | 6487 | 6487 | 6487 |
| 55°   | 5670 | 5670 | 5670 |
| 65°   | 4741 | 4741 | 4741 |
| 75°   | 3182 | 3182 | 3182 |
| 85°   | 2259 | 2259 | 2259 |

### LUMEN OUTPUT: Direct/Indirect (D9)

|      |    | LO    | MO    | SO    | HO    | Uplight |
|------|----|-------|-------|-------|-------|---------|
| 18": | lm | 1765  | 3300  | 3500  | 4200  | 30%     |
|      | w  | 23    | 42    | 47    | 58    |         |
| 18": | lm | 1765  | 3300  | 3500  | 4200  | 30%     |
|      | w  | 23    | 42    | 47    | 58    |         |
| 3':  | lm | 5570  | 8880  | 11300 | 16950 | 19%     |
|      | w  | 60    | 95    | 125   | 194   |         |
| 4':  | lm | 9740  | 14300 | 19190 | 28250 | 25%     |
|      | w  | 97    | 142   | 193   | 296   |         |
| 5':  | lm | 13700 | 22500 | 30000 | 43000 | 25%     |
|      | w  | 133   | 222   | 300   | 444   |         |

D1 on previous page

## LUMEN MAINTENANCE

Designed to last with cool running mid-power LEDs projected to maintain 90% (L90) of their initial output for 100,000 hours (at HO), and L70 exceeding 150,000 hours.

**LED SYSTEM** LED modules and drivers are field replaceable.

**PROG** (OPTIONAL) Programmable light output. Specify desired lumens or watts per fixture.

**BINNING** Standard binning (all Prudential LED boards) includes testing at the chip level and board integration to provide consistent color temperature within a 3-step MacAdam ellipse, with +/- 5% lumen output range and +/- .004 Duv.

**PRUBIN™** (OPTIONAL) Prudential Ltg's exclusive 'job binning' method that ensures color temperature consistency across all luminaires on a project. Meticulously testing and labeling **EVERY LED BOARD** to +/- 25 lumens, +/- 50k CCT and +/- .004 Duv — while also separating positive from negative — allows us to match color, hue and intensity throughout a project and provides a consistent color temperature within a 2-step MacAdam ellipse.

## LABELS

ETL damp labeled and I.B.E.W. manufactured.

## ELECTRICAL

Must specify LED dimming controls. LED fixtures have constant current driver(s) with less than 20% THD when loaded to a minimum of 60%. Drivers sink a maximum of 6mA per driver. DM10 LED drivers are 0-10V dimmable and are compatible with most 0-10V wall slide dimmers and direct 0-10V analog signal dimmers.

## CONSTRUCTION

**Housing** Spun 20 gauge steel, >20% PC recycled, 100% recyclable  
**Lens** Convex (subtle drop mitigates lamp image) or flat acrylic, 100% recyclable

## MOUNTING

Surface or suspended by straight aircraft cables, top-swivel stems

## WARRANTY

Single-source, 5 year limited warranty covers standard components and construction.



Prudential Ltg. reserves the right to change design specifications or materials without notice. Please visit prulite.com for most current data. © 2014 All rights reserved - All products manufactured at: Prudential Ltg. 1774 E. 21st Street, Los Angeles, CA 90058



# P3900 | Pendant & Surface



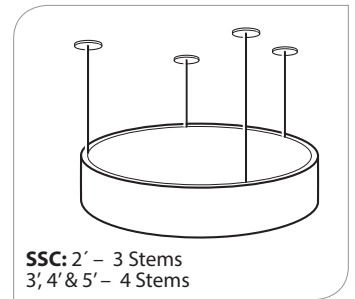
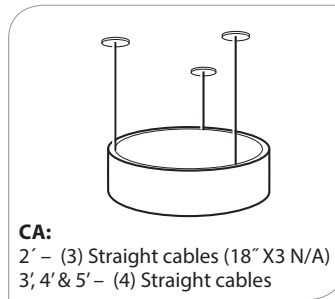
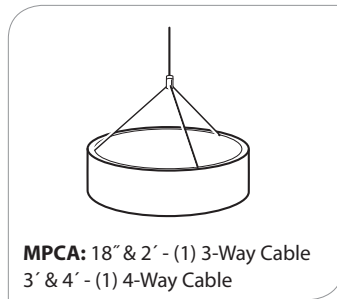
PRUDENTIAL LTG.

PRULITE.COM 213.746.0360

|                               |                             |
|-------------------------------|-----------------------------|
| YSW – Seashell White (Matte)  | YCH – Champagne (Metallic)  |
| YSL – Silver (Metallic)       | YPE – Pewter (Matte)        |
| YRG – Rain Grey (Gloss)       | YSTM – Storm Grey (Matte)   |
| YBK – Black (Matte)           | YBB – Black (Semi Gloss)    |
| YSKM – Sky (Matte)            | YMB – Military Blue (Matte) |
| YIB – Interstate Blue (Matte) | YSAM – Sapphire (Matte)     |
| YFGM – Forest Green (Matte)   | YBR – Bronze (Matte)        |
| YBY – Boysenberry (Matte)     | YSRM – Sunset Red (Matte)   |
| YOR – Orange (Matte)          | YDAM – (Diffused) (Matte)   |



## MOUNTING CABLES



Choose from one of our Premium Colors with no set-up fee.

For paint chip samples, please email: [info@prulite.com](mailto:info@prulite.com)

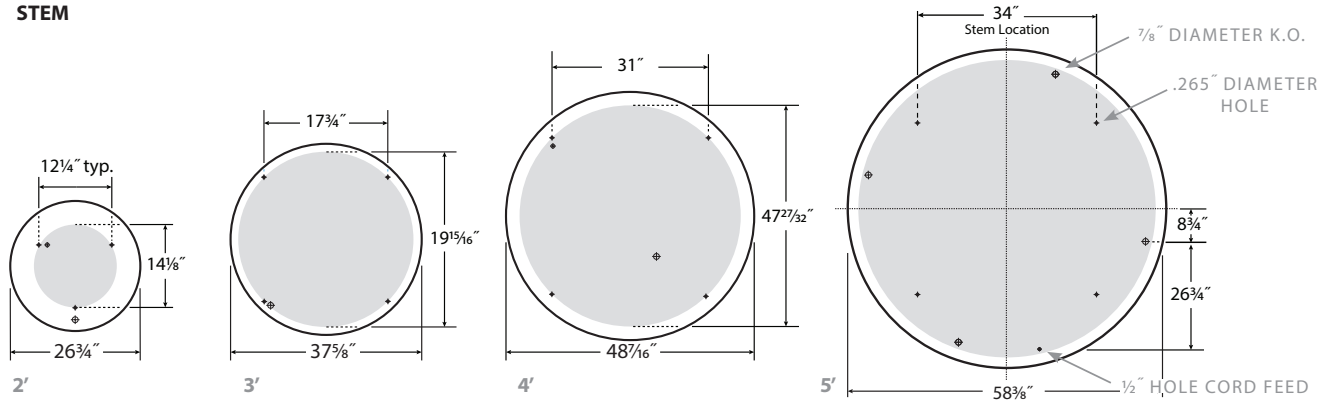


Prudential Ltg. reserves the right to change design specifications or materials without notice. Please visit [prulite.com](http://prulite.com) for most current data. © 2014 All rights reserved - All products manufactured at: Prudential Ltg. 1774 E. 21st Street, Los Angeles, CA 90058



MOUNTING LOCATIONS

STEM



MPCA, CAX & SUR

- ◆ 1/4" Mounting hole
- ⊕ 7/8" Wiring K.O.

