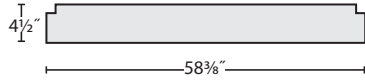




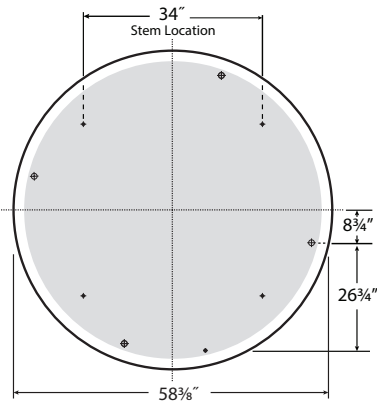
## INSTALLATION INSTRUCTIONS

### X1 T-BAR SURFACE MOUNT

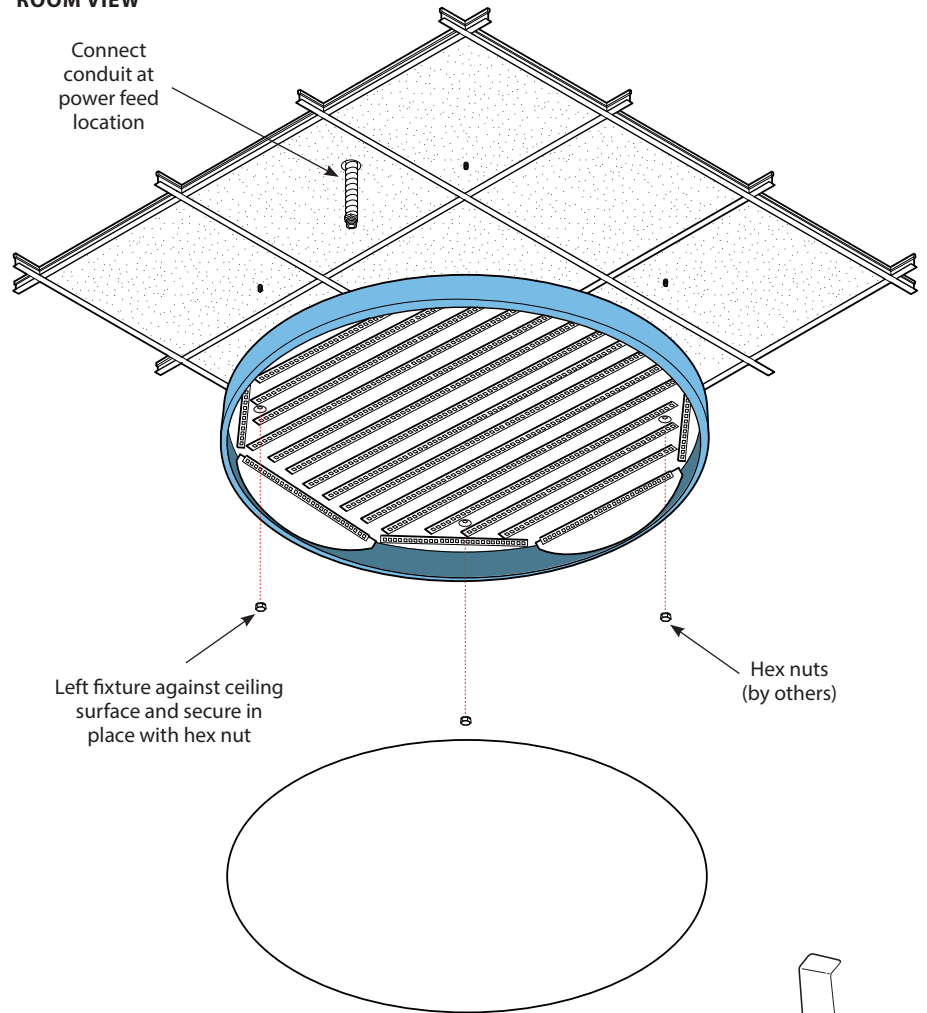
#### CROSS SECTION



#### MOUNTING LOCATIONS



#### ROOM VIEW



**NOTE:** To prevent hex nuts from loosening due to vibration, liquid loctite recommended on threaded rod and hex nuts



Lens Removal Tool

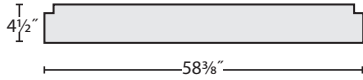
**WARNING:** Ground fixture in accordance with local and national electrical codes. Failure to do so may result in serious personal injury.



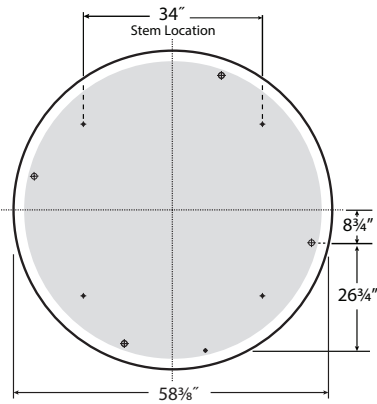
## INSTALLATION INSTRUCTIONS

### X1 T-BAR SURFACE MOUNT

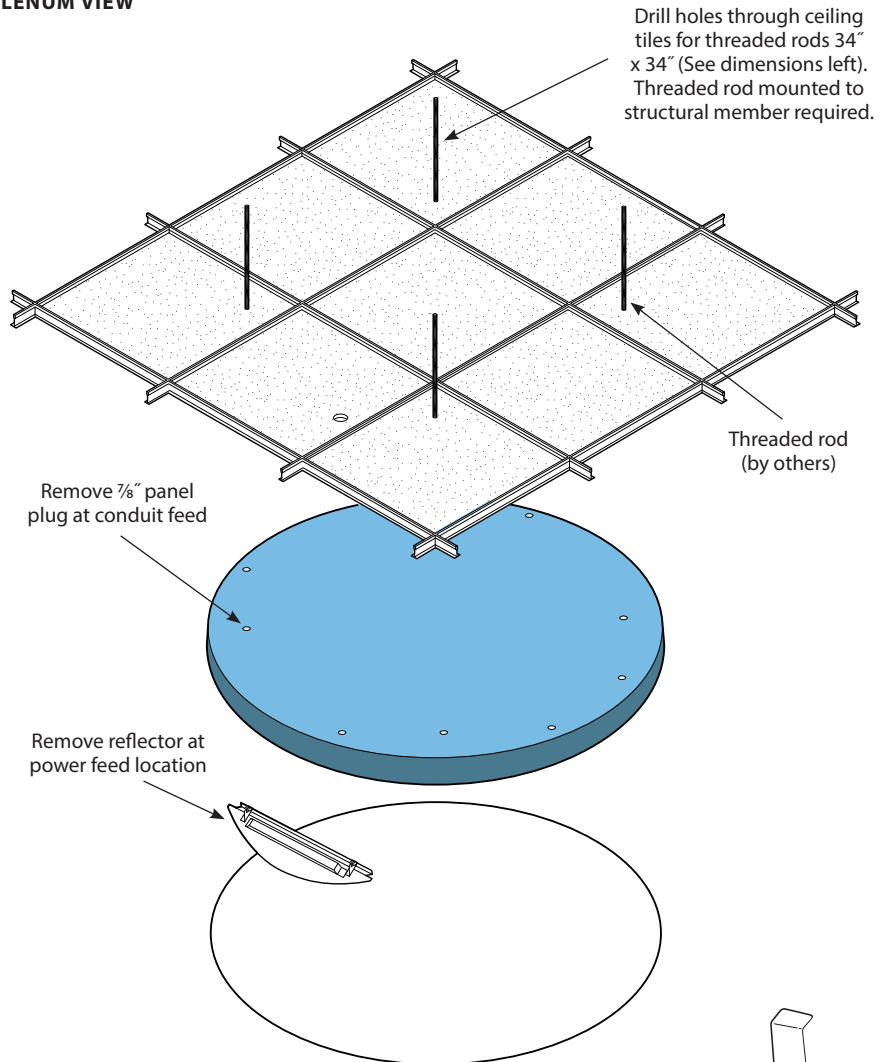
#### CROSS SECTION



#### MOUNTING LOCATIONS



#### PLENUM VIEW



**NOTE:** Do not rely on t-bar for support of fixture. Due to weight of 106 lbs. Fixture must be supported by threaded rod through ceiling tiles fastened to structural deck above unstrut tied to structural member.



Lens Removal Tool

**WARNING:** Ground fixture in accordance with local and national electrical codes. Failure to do so may result in serious personal injury.