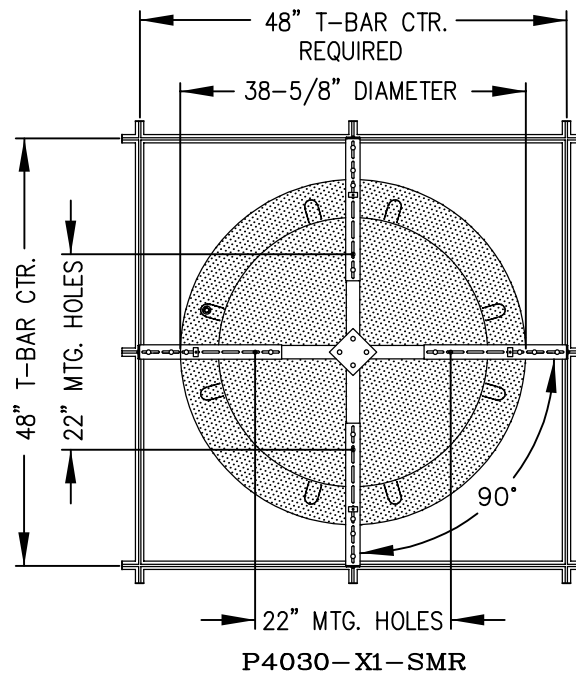
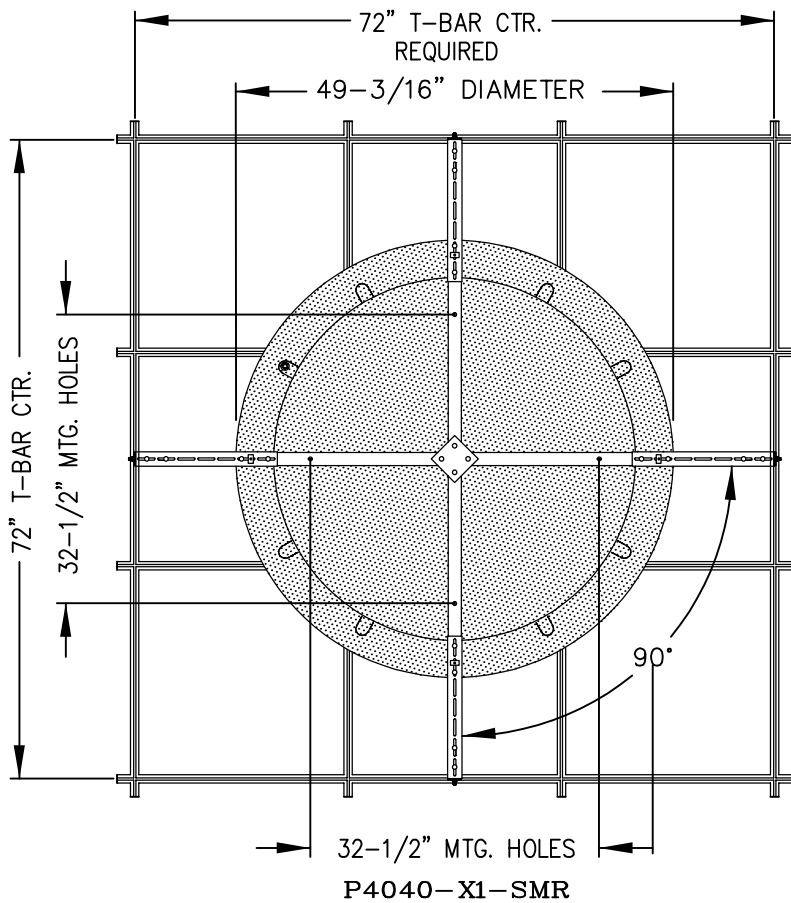
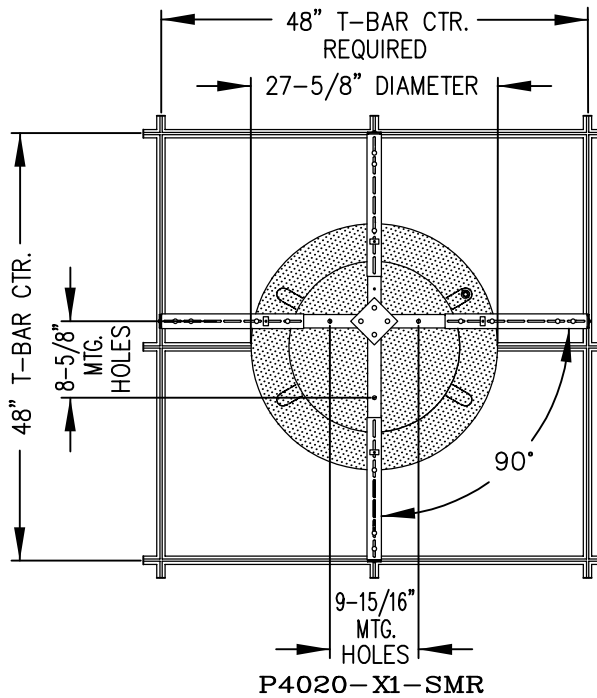
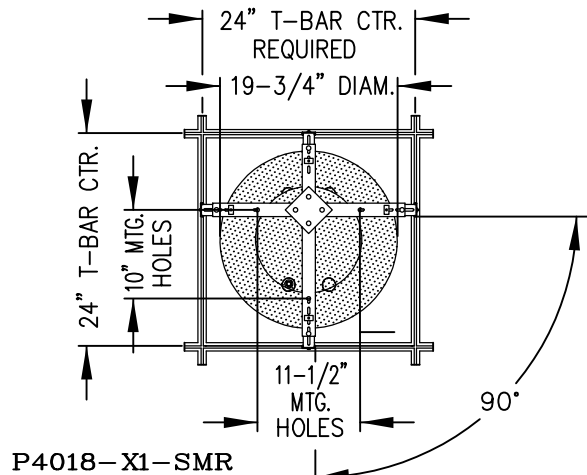


**P4000-X1-SMR INSTALLATION
104972, INSTRUCTIONS**

**WARNING: MAKE ALL GROUNDING, WIRE CONNECTIONS AND SUPPORT WIRE
METHODS IN ACCORDANCE WITH LOCAL AND NATIONAL ELECTRICAL CODES.**

T-BAR CONFIGURATION WITH P4000 MOUNTING DIMENSIONS



P4000 X1-SMR INSTALLATION PARTS LIST

SYM.	P/N	PART DESCRIPTION	QTY.	SYM.	P/N	PART DESCRIPTION	QTY.	SYM.	P/N	PART DESCRIPTION	QTY.
A	VARIABLE	TOP OVER HEAD SUPPORT BRKT.	1	G	100149	P4000 SMR T-BAR OUTER CLAMP	4	N	100-00255-14	1/4-20 KEPS HEX NUT	28
B	872070	P4000 SMR OVER HEAD JOINER BRKT.	1	H	100-00230-14	1/4-20 X 3-1/2" RD. HD.MS. SCREW	4	P	100-00114-14	1/4-20 X 3/4" TRUSS HD. MACHINE SCREW	28
C	VARIABLE	BOTTOM OVER HEAD SUPPORT BRKT.	1	J	100-00037-14	#6 X 3/8" HEX HD. SELF DRILL TEK SCREW	4	Q	104102	P4000-SMR GRID CONNECTOR	8
D	91562	SMR MOUNTING BRACKET EXTENSION.	4	K	VARIABLE	P4000 SMR TRIM RING ASS'Y.	1	R	100-00012-14	1/4-20 SPEED NUT	4
E	79741	P4000 SMR 4" ANGLED LEG	4	L	100-00034-14	1/4-20 X 2-1/2" RD. HD.MS. SCREW	4	S	VARIABLE	P4000 SMR TOP COVER PLATE	4
F	100150	P4000 SMR ADJUSTABLE CLAMP	4	M	100-00141-14	#8 X 1/4" HWH SLT-SMS TYPE B SCREW	10				



1774 EAST 21ST STREET L.A. CA 90058
TEL. (213)746-0360 FAX (213)746-8838
PRUDENTIAL LTG. WWW.PRULITE.COM

DRAWN BY: SPH
DATE: 5/23/18
CHK. REV. DATE

DWG. No. 104972

DISK No.
REV.

ATTACH OVERHEAD MTG. BRACKET SUB-ASSEMBLY TO T-BAR

FASTEN SMR OVERHEAD MOUNTING BRACKET ASSEMBLY TO T-BAR WITH CLAMPS (F), AND (G). SECURE CLAMPS TO T-BAR WITH (J), #6 X 3/8" SELF DRILLING SCREWS. (SEE FIGURE 2).

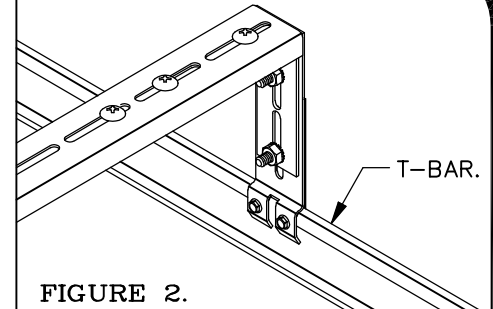
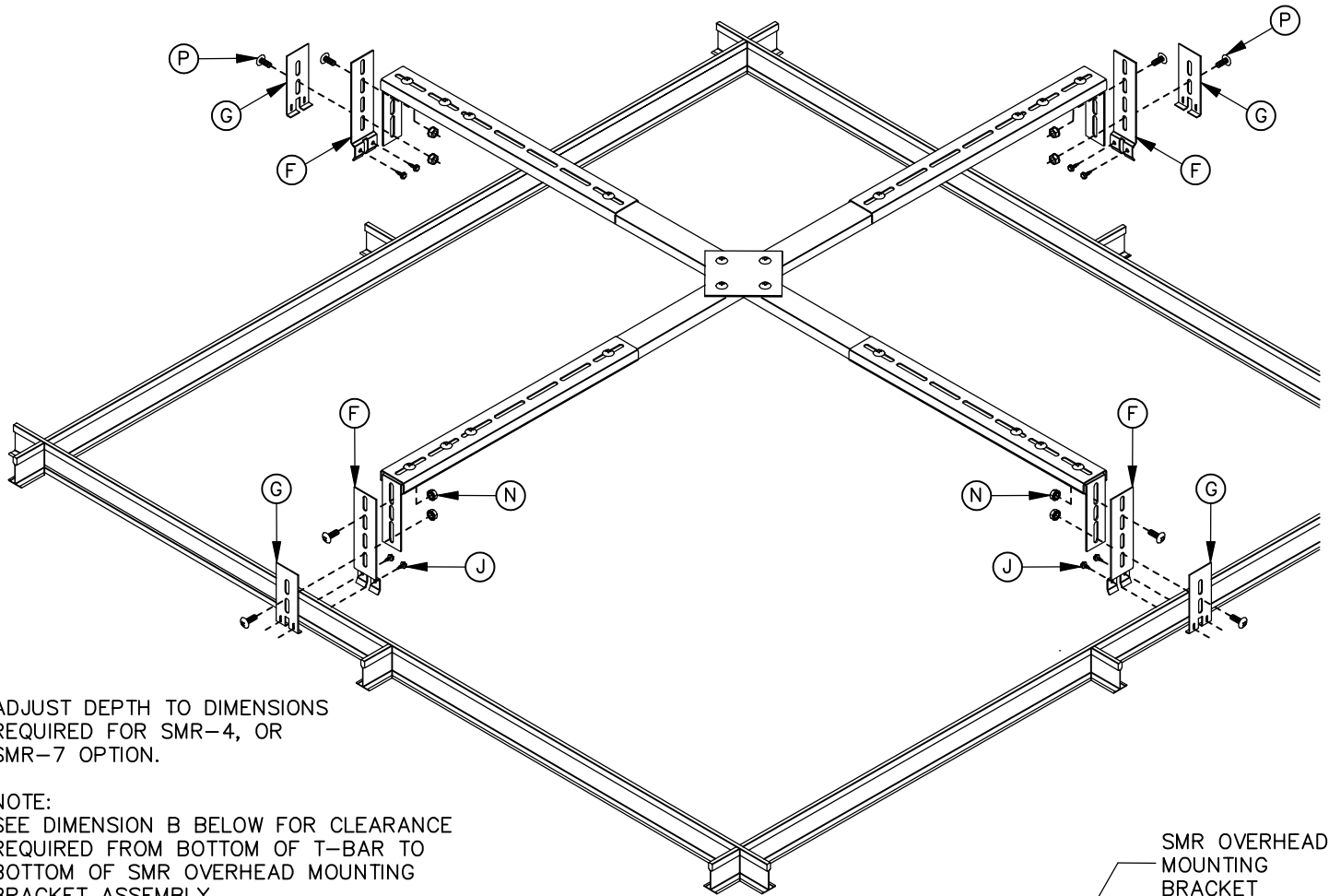
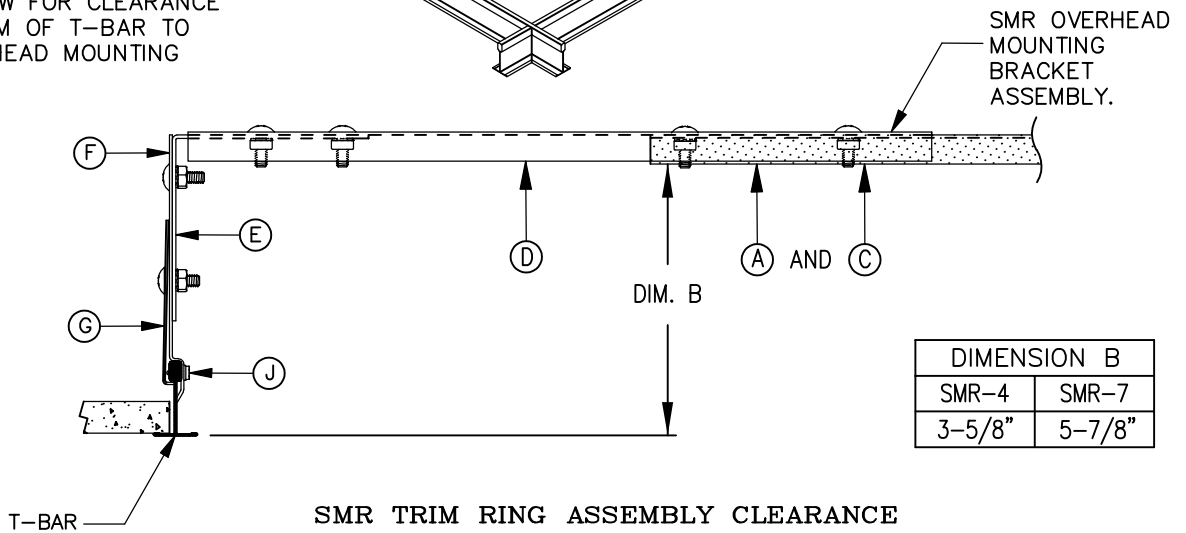


FIGURE 2.



ADJUST DEPTH TO DIMENSIONS REQUIRED FOR SMR-4, OR SMR-7 OPTION.

NOTE:
SEE DIMENSION B BELOW FOR CLEARANCE REQUIRED FROM BOTTOM OF T-BAR TO BOTTOM OF SMR OVERHEAD MOUNTING BRACKET ASSEMBLY.



SMR TRIM RING ASSEMBLY CLEARANCE



1774 EAST 21ST STREET L.A. CA 90058
TEL. (213)746-0360 FAX (213)746-8838
PRUDENTIAL LTG. WWW.PRULITE.COM

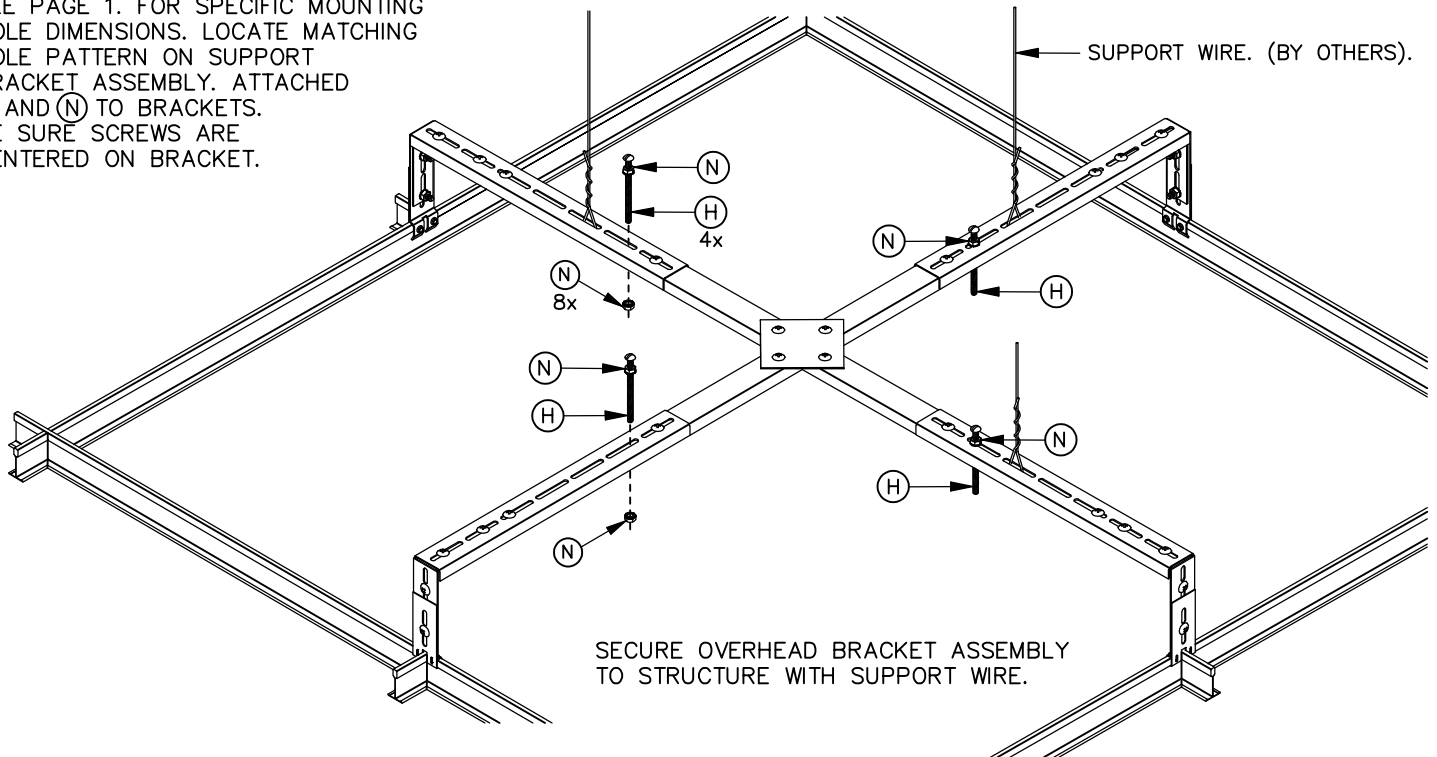
DRAWN BY: SPH
DATE: 5/23/18
CHK. REV. DATE

DWG. No. 104972

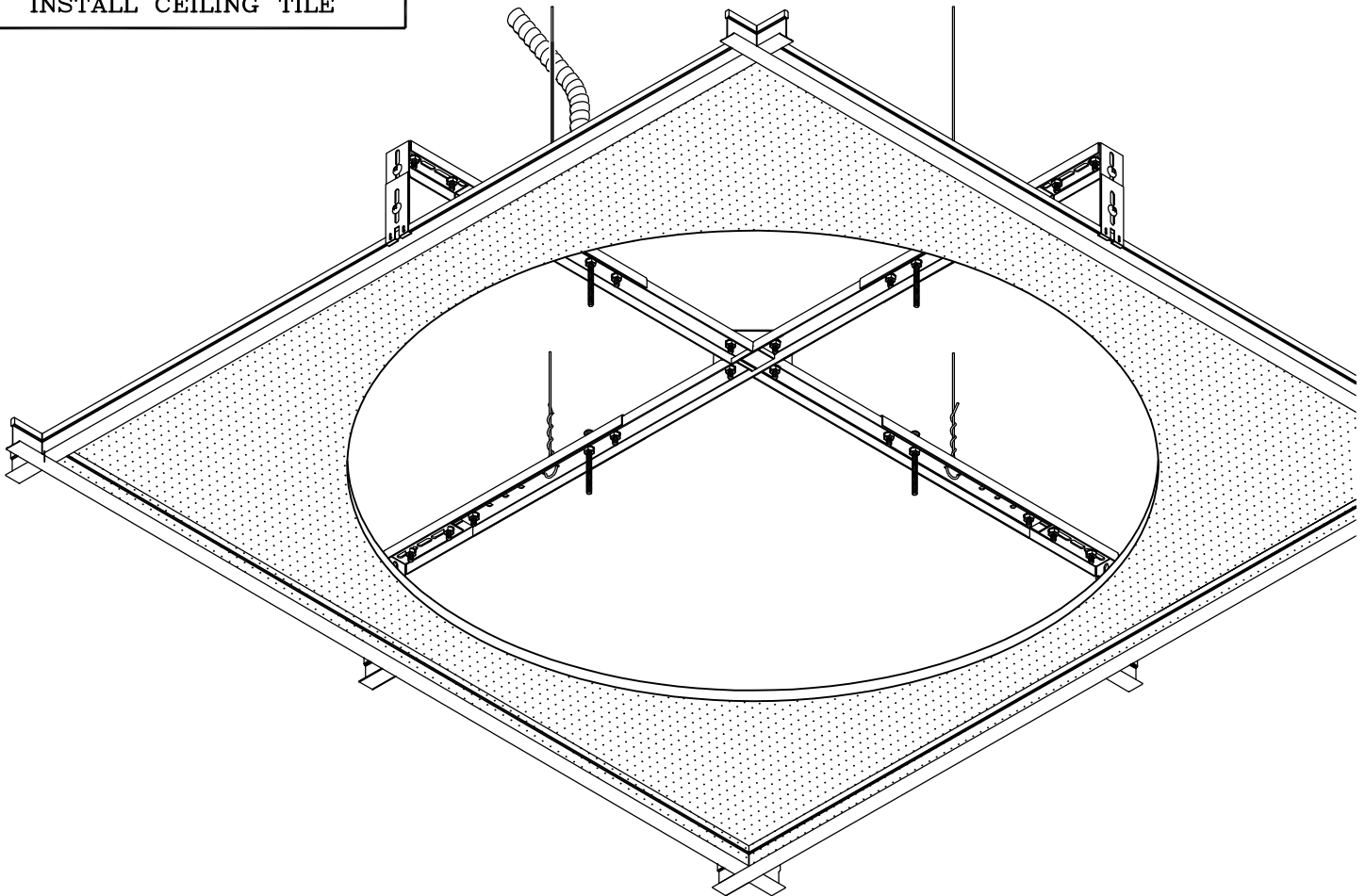
DISK No.
REV.

INSTALL FIXTURE MOUNTING SCREWS

SEE PAGE 1. FOR SPECIFIC MOUNTING HOLE DIMENSIONS. LOCATE MATCHING HOLE PATTERN ON SUPPORT BRACKET ASSEMBLY. ATTACHED (H) AND (N) TO BRACKETS. BE SURE SCREWS ARE CENTERED ON BRACKET.



INSTALL CEILING TILE



1774 EAST 21ST STREET L.A. CA 90058
 TEL. (213)746-0360 FAX (213)746-8838
PRUDENTIAL LTG . WWW.PRULITE.COM

DRAWN BY:
SPH

DATE
5/23/18

DWG. No.

DISK No.

CHK.

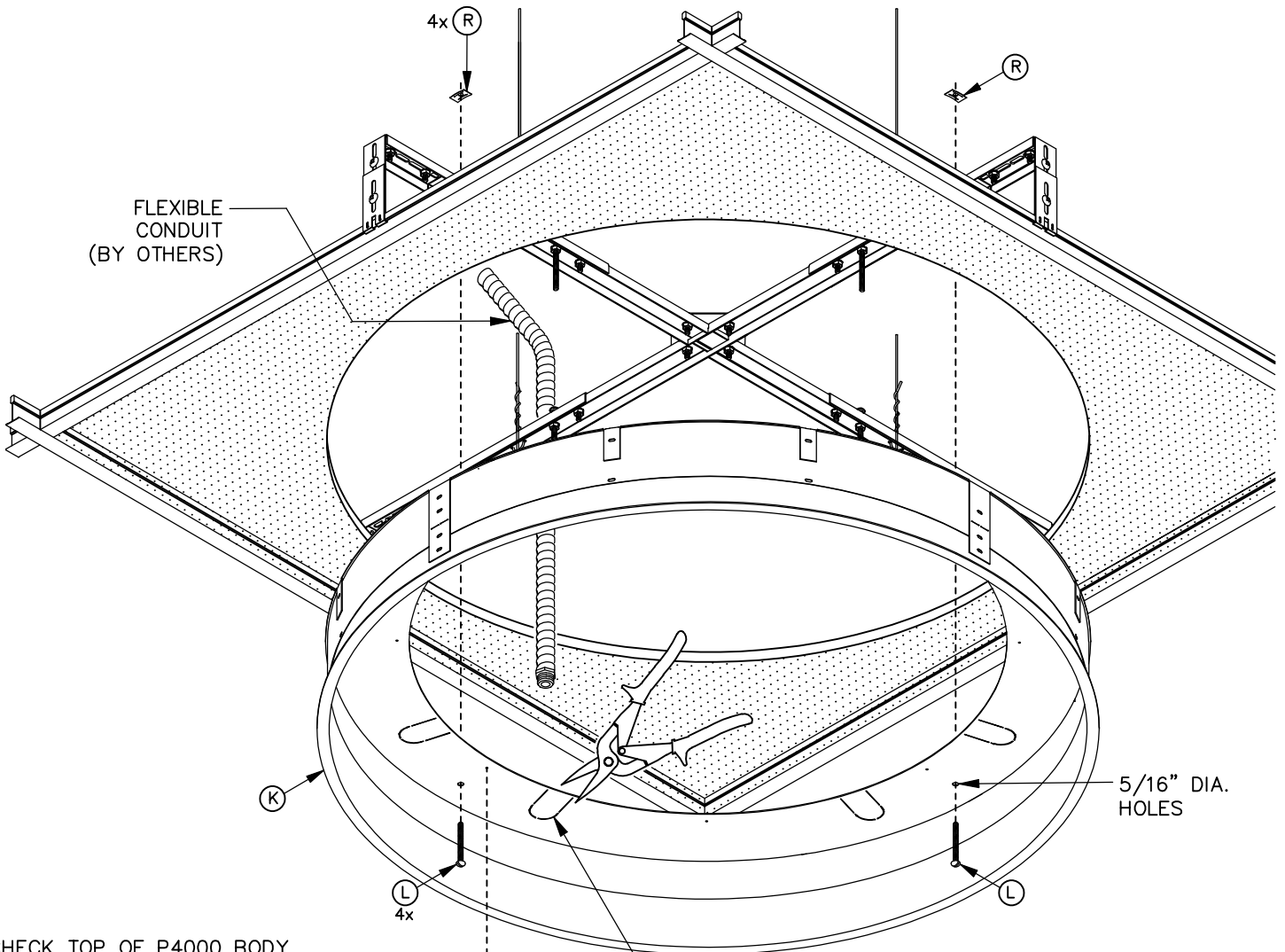
REV. DATE

104972

REV.

INSTALL SMR TRIM RING ASSEMBLY TO MOUNTING BRACKET ASSEMBLY

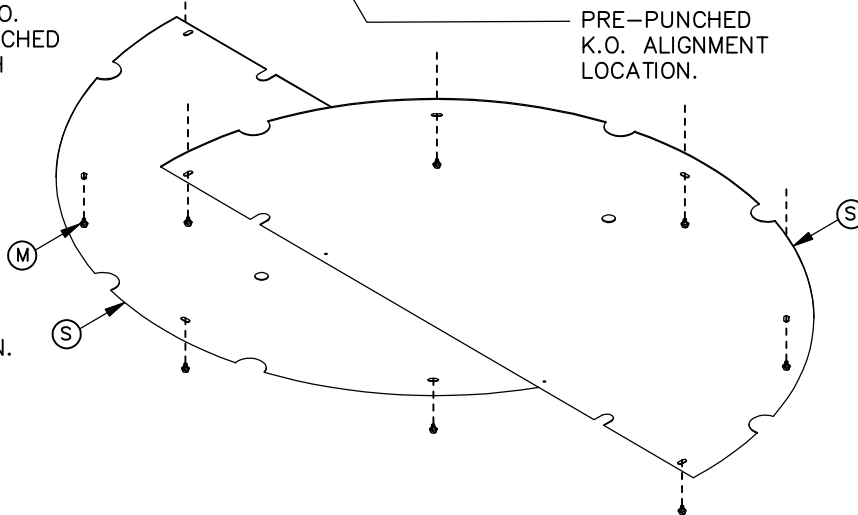
ALIGN 5/16" DIAMETER HOLES ON (K), SMR TRIM RING ASSEMBLY, WITH MATING HOLES ON MOUNTING BRACKET ASSEMBLY. (SEE PAGE 6 FOR MOUNTING DIMENSIONS). FASTEN IN PLACE WITH (L), 1/4-20 X 2-1/2" SCREWS AND (P), 1/4-20 SPEED NUT.



CHECK TOP OF P4000 BODY ASSEMBLY FOR POWER FEED K.O. LOCATION. CUT AWAY PRE-PUNCHED TOP COVER AREA ALIGNED WITH BODY ASSEMBLY K.O. FOR FLEX CONDUIT ATTACHMENT TO BODY ASSEMBLY.

INSTALL (S), SMR TOP COVER PLATES WITH (M), #8 X 1/4" SM TYPE B SCREWS.

NOTE:
P4020, P4030, P4040 REQUIRE TWO PIECE COVER INSTALLATION.
P4018 REQUIRES A SINGLES COVER INTALL.



1774 EAST 21ST STREET L.A. CA 90058
TEL. (213)746-0360 FAX (213)746-8838
PRUDENTIAL LTG. WWW.PRULITE.COM

DRAWN BY:
SPH

DATE
5/23/18

DWG. No.

DISK No.

CHK.

REV. DATE

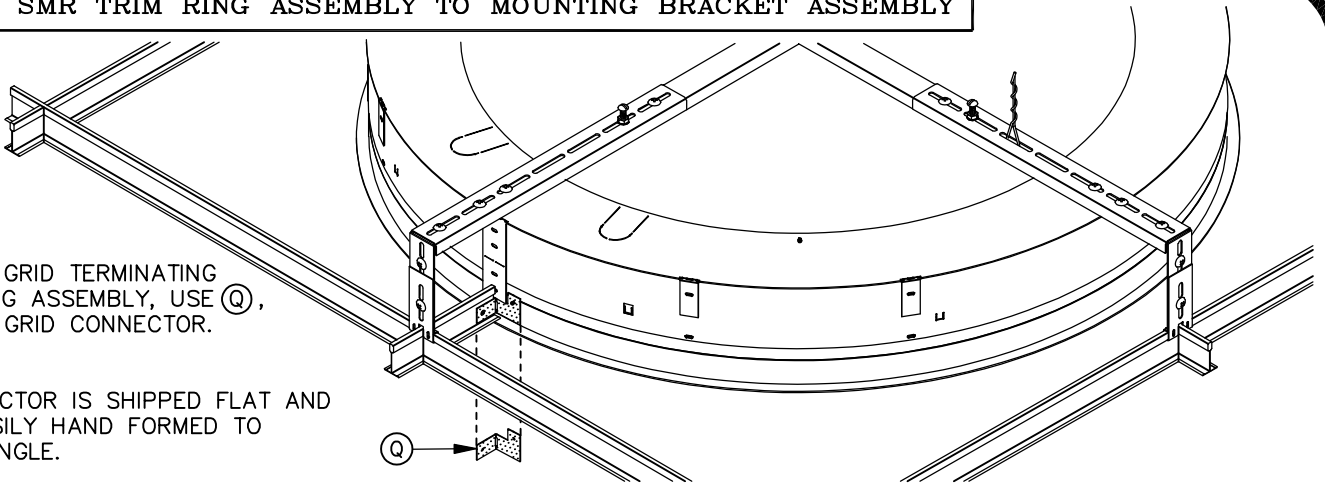
104972

REV.

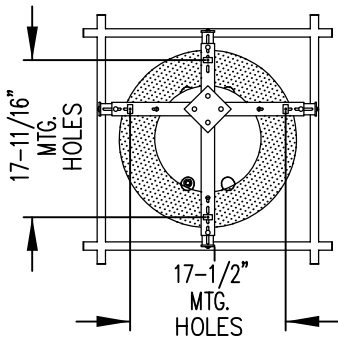
INSTALL SMR TRIM RING ASSEMBLY TO MOUNTING BRACKET ASSEMBLY

FOR CROSS GRID TERMINATING AT TRIM RING ASSEMBLY, USE (Q), P4000 SMR GRID CONNECTOR.

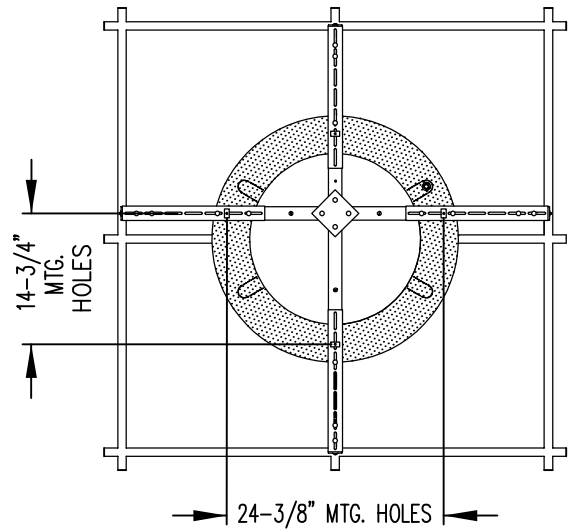
NOTE:
GRID CONNECTOR IS SHIPPED FLAT AND CAN BE EASILY HAND FORMED TO REQUIRED ANGLE.



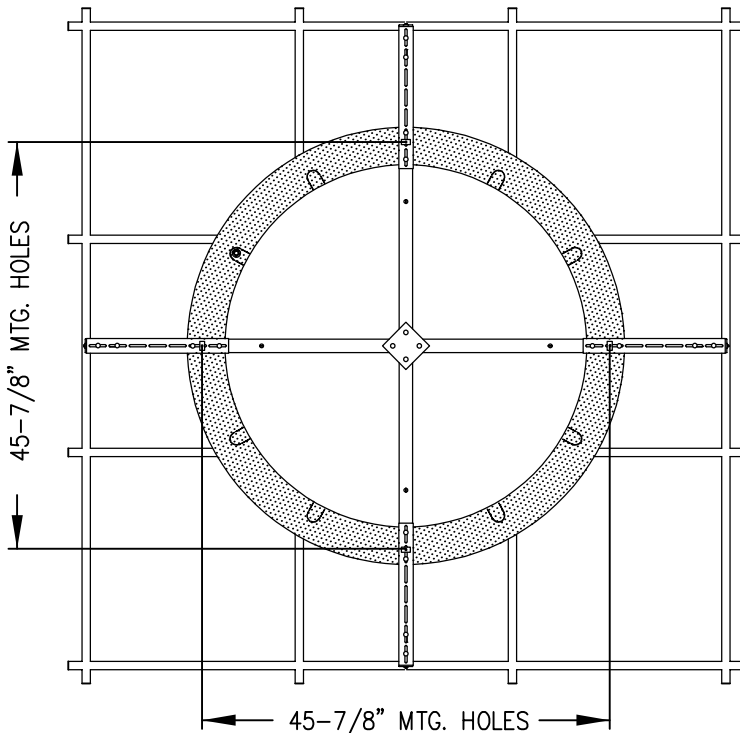
SMR TRIM RING ASSEMBLY MOUNTING DIMENSIONS



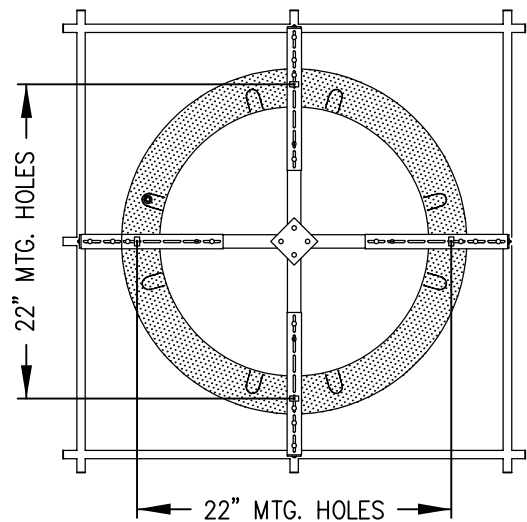
P4018-SMR TRIM RING MTG. HOLES



P4020-SMR TRIM RING MTG. HOLES



P4040-SMR TRIM RING MTG. HOLES



P4030-SMR TRIM RING MTG. HOLES



1774 EAST 21ST STREET L.A. CA 90058
TEL. (213)746-0360 FAX (213)746-8838
PRUDENTIAL LTG. WWW.PRULITE.COM

DRAWN BY:
SPH

DATE
5/23/18

DWG. No.

DISK No.

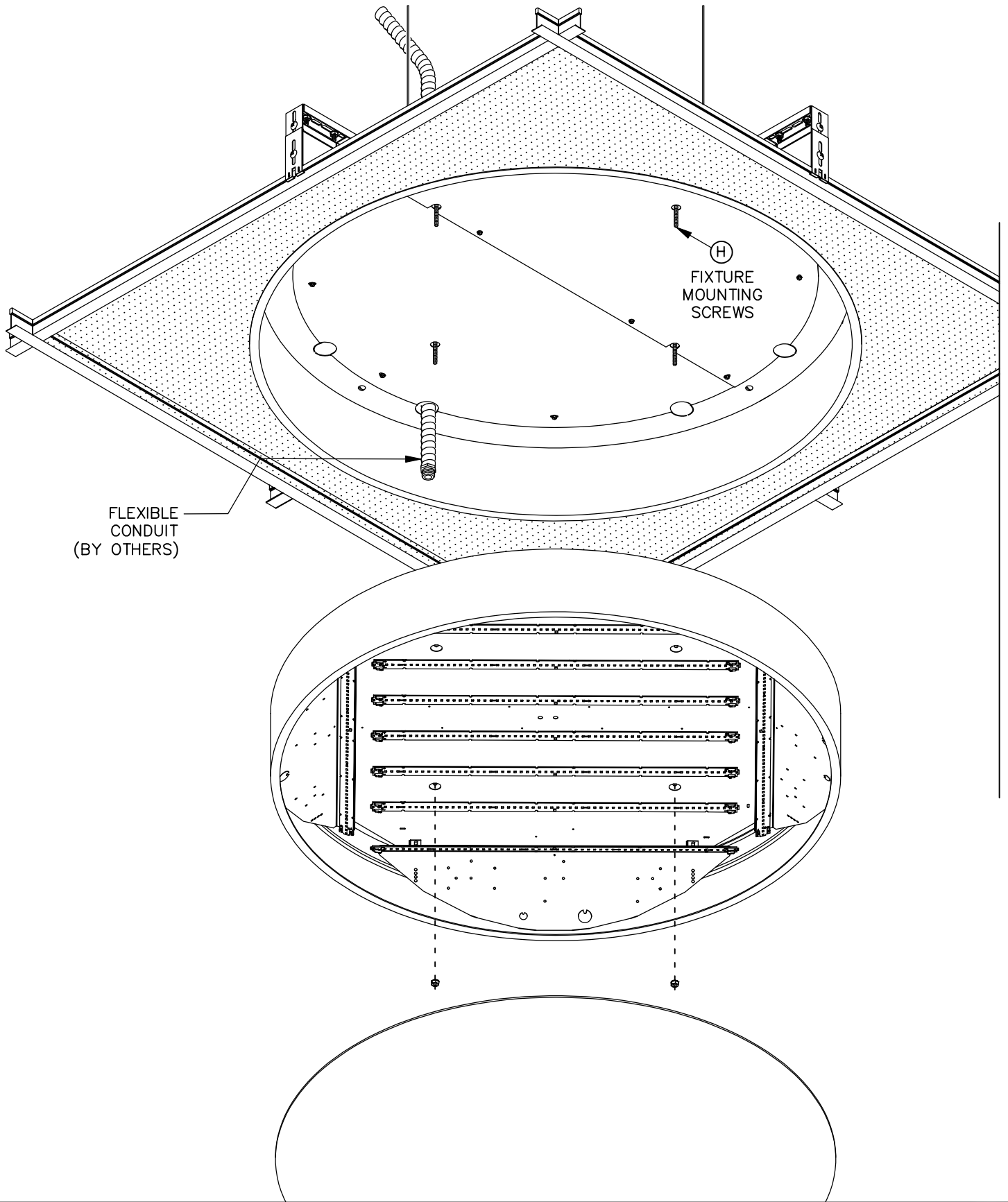
CHK.

REV. DATE

104972

REV.

INSTALL P4000 ASSEMBLY TO MOUNTING BRACKET ASSEMBLY



1774 EAST 21ST STREET L.A. CA 90058
 TEL. (213)746-0360 FAX (213)746-8838
PRUDENTIAL LTG. WWW.PRULITE.COM

DRAWN BY: SPH	DATE 5/23/18	DWG. No. 104972	DISK No.
CHK.	REV. DATE		REV.