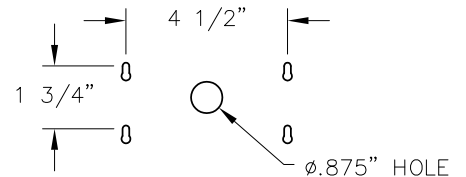
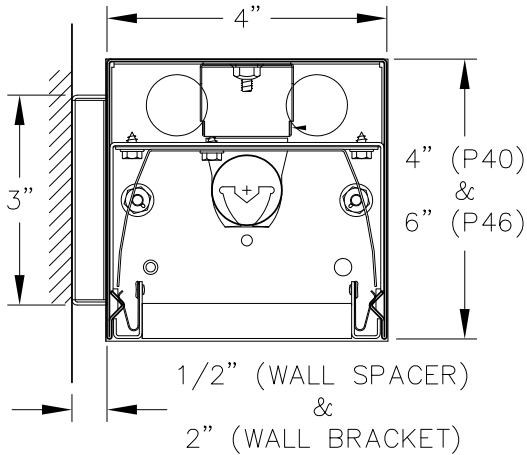
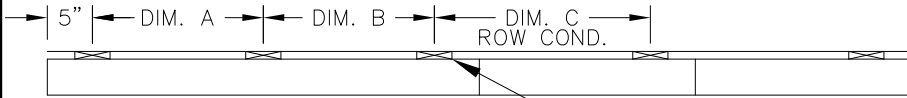


P40/P46 WALL MOUNTING INSTALLATION INSTRUCTIONS

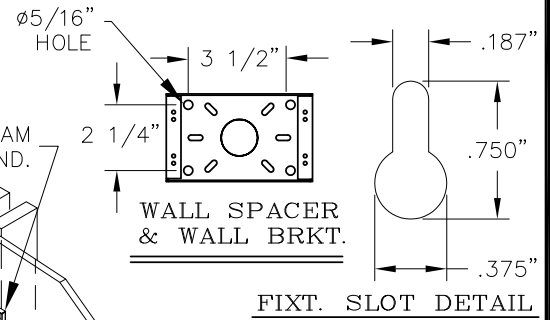
WARNING:
GROUND FIXTURE IN ACCORDANCE WITH LOCAL AND NATIONAL ELECTRICAL CODES. FAILURE TO DO SO MAY RESULT IN SERIOUS PERSONAL INJURY.

GENERAL NOTES

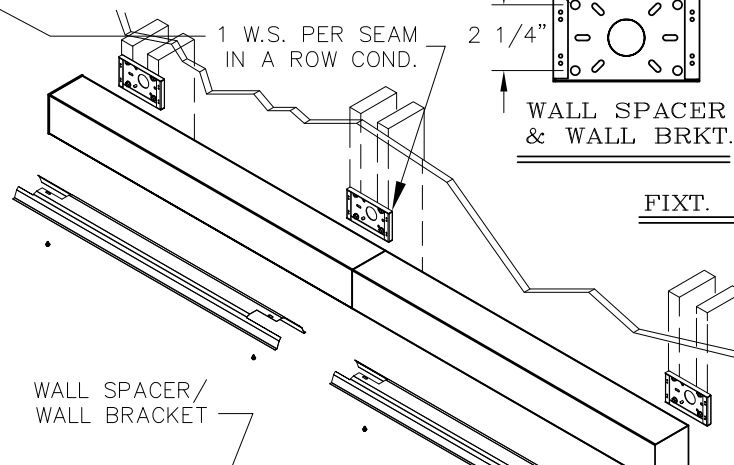
- 1- START ALL FIXTURE ROW MOUNTING FROM LEFT TO RIGHT FACING WALL .
- 2- FOR CONTINUOUS ROW MOUNTING SEE MOUNTING HOLE DIMENSIONS CHART. FOR PATTERN MOUNTING, INCLUDING CORNER CONNECTORS, REFER TO PATTERN PLAN IF PROVIDED.
- 3- DEPENDING UPON CONSTRUCTION, REINFORCEMENT MAY BE REQUIRED BEHIND WALLS AT MOUNTING LOCATIONS.



MOUNTING HOLE PATTERN (WM)



FIXT. SLOT DETAIL

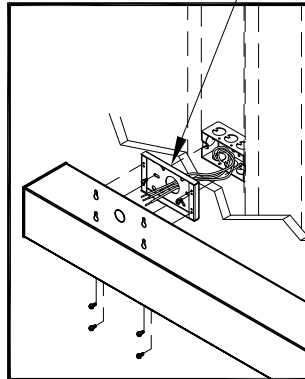


MOUNTING HOLE DIMENSIONS

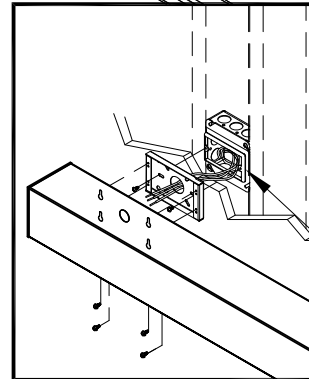
OVERALL FIXTURE DIMENSION	DIM."A"	DIM."B"	ADJOINING FIXTURE DIM."C"
2'-0"	14"	-	24"
3'-0"	26"	-	36"
4'-0"	38"	-	48"
6'-0"	62"	-	72"
8'-0"	38"	48"	48"

FIXTURE WALL MOUNTING:

INSTALLER TO DETERMINED APPROPRIATE OUTLET BOX PER FIELD CONDITION, WALL MOUNTING OPTIONS, LOCAL & NAT. CODES.

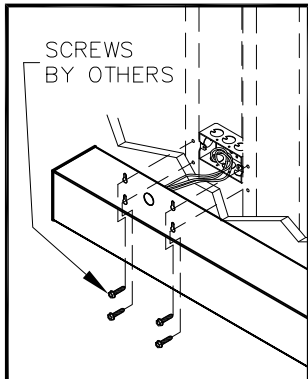


2-1/8" X 4" OUTLET BOX W/ WALL SPACER/BRKT.

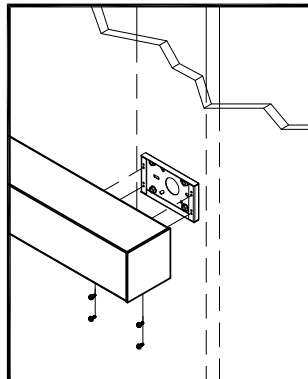


4" OUTLET BOX W/ WALL SPACER/BRKT.

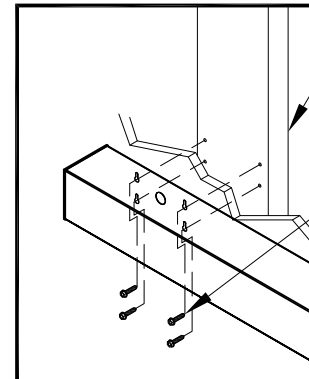
4" BOX MUST HAVE PLASTER RING COVER FOR CONCEALMENT OF OUTLET BOX



2-1/8" X 4" OUTLET BOX W/ NO WALL SPACER/BRKT.



WALL SPACER/BRKT. W/O OUTLET BOX



MOUNTING DIRECTLY TO WALL

MOUNT FIXT. TO WALL STRUCTURE (TYPICAL FOR ALL WALL MOUNTING)

SCREWS BY OTHERS



1774 EAST 21ST STREET L.A. CA 90058
TEL. (213)746-0360 FAX (213)746-8838

PRUDENTIAL LTG. WWW.PRULITE.COM

DRAWN BY: G. ROMO
DATE: 11/17/11

CHK. DATE

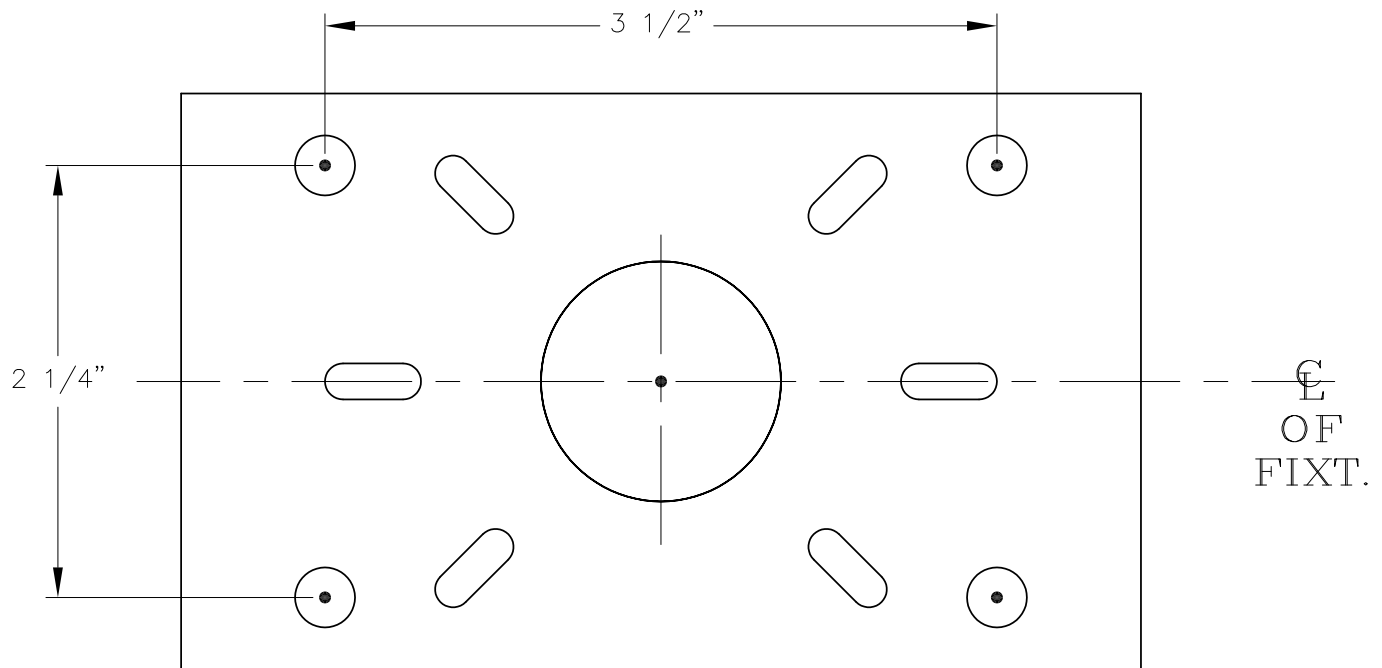
DWG. No.

79820

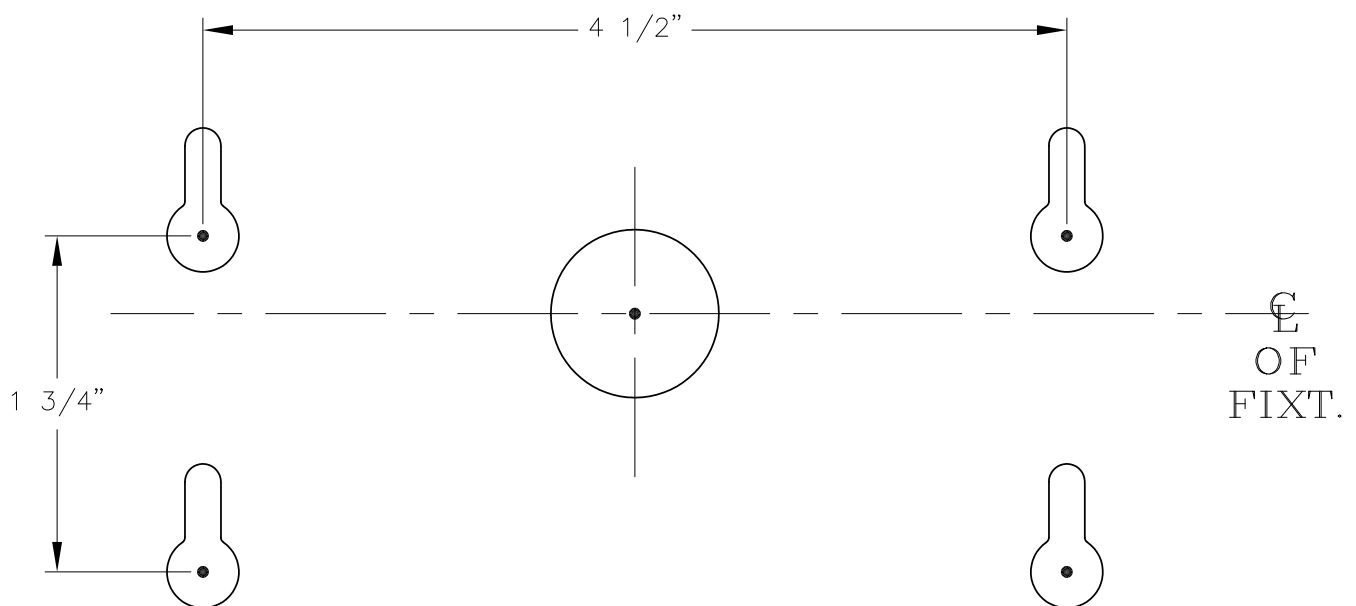
DISK No. VAULT

REV.

WALL SPACER/BRACKET



WALL MOUNT



1774 EAST 21ST STREET L.A. CA 90058
TEL. (213)746-0360 FAX (213)746-8838

PRUDENTIAL LTG. WWW.PRULITE.COM

DRAWN BY: G. ROMO	DATE 11/17/11
CHK.	DATE

DWG. No.
79820-TEMPLATE

DISK No. VAULT
REV.