



# MicroWash™ | Asymmetric Wall Wash

## Integral Driver



PRUDENTIAL LTG.

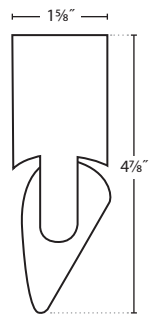
PRULITE.COM 213.746.0360



MW  
Integral Driver

Type:

Job:



### Small, but mighty effective.

Go, gradient, go. Superior optical performance translates to a smooth, clean gradient of light to wash walls evenly, creating just the right amount of highlight at eye level to subtly pique visual interest. Wall mounted with 250° of tilt, the Wash illuminates vaulted ceilings as well.

Also available with remote driver for a minimal look.

**MW-LED35-SO**

3499 Delivered Lumens

36 Watts

96 lm/w

3500 CCT

UPTO **102** LM/W

	LO	MO	SO	HO
lm/ft	469	698	947	1136
w/ft	4.6	7	10	12

[CLICK HERE](#)



Lumen output may vary +/- 5%  
3500K used for lm/ft estimates above  
4000K +2% llf, 3000K -2%, 2700K -4%

See LED Details PDF for more info

SERIES	LED COLOR	OUTPUT	NOMINAL LENGTH	COLOR/ FINISH	CIRCUITING	VOLTAGE	MOUNTING	CEILING SYSTEMS	DRIVERS	OPTIONS
MW										
Integral Driver	<b>LED27</b> 2700K (90CRI) <b>LED3</b> 3000K <b>LED35</b> 3500K <b>LED4</b> 4000K <b>LED3-90</b> 90CRI <b>LED35-90</b> 90CRI <b>LED4-90</b> 90CRI	<b>LO</b> Low <b>MO</b> Medium <b>SO</b> Standard <b>HO</b> High <b>PROG</b> Programmable Light Output (Specify desired lm/ft or w/ft)	<b>1'</b> (Consult factory, 1' not available in individual with LO) <b>2'</b> <b>3'</b> <b>4'</b> <b>6'</b> <b>8'</b> <b>R</b> ____ (Row length, 1' increments) <b>NOTES:</b> Long rows are typically made up of 8' fixtures (ending with a shorter fixture as needed), if symmetrical fixture lengths in a row are desired please consult factory Individual fixtures are not intended for row mounting	<b>TMW</b> Textured Matte White (Standard) <b>YGW</b> Gloss White <b>Y</b> ____ Premium Color (NA - YBB black semi-gloss) <b>CC</b> Custom Color <b>NOTE:</b> All canopies are painted the same color as the fixture. Consult factory to specify	<b>SC</b> Single Circuit	<b>UNV</b> (120-277) <b>347</b> (Emergency battery requires a Step Down transformer)	<b>CA48", 96" or 144"</b> Aircraft Cable (Adjustable) <b>SUR</b> Surface Mount (For X1 & X6 2x fan/fixture mounts will be required, by others) <b>SSC</b> ____ Swivel Stem Mount (Specify length) <b>WRM</b> Wall Arm (Max 24" from wall)	<b>X1*</b> T-Bar 1 1/16" or 1/16" Exposed (Standard) Consult factory for 1/16" Tegular <b>X3</b> Hard Ceiling <b>X6*</b> Slot Grid or Interlude <b>*For SUR 2x fan/fixture mounts will be required, by others</b>	<b>ND</b> Non-Dimming <b>DM10</b> 0-10v, 10% Dimming (Standard) <b>DM01</b> 0-10v, 1% Dimming <b>STEP</b> Step Dimming, 100-50-Off, Osram <b>NOTE:</b> Lumens and watts per foot may differ for STEP drivers, consult factory <b>LDE5</b> 5-Series EcoSystem LED <b>LDE1</b> Hi-lume 1% EcoSystem LED (Soft fade on, fade-to-black dimming) <b>LTE</b> Hi-lume 1% 2-Wire LED Driver (120v forward phase only) <b>ECO</b> 1% 0-10v, EldoLED (Logarithmic dimming std) <b>ECDA</b> 1% DALI, EldoLED (Logarithmic dimming std) <b>SOLO</b> 0.1% 0-10v, EldoLED (Dim-to-dark, Logarithmic dimming std) <b>SODA</b> 0.1% DALI, EldoLED (Dim-to-dark, Logarithmic dimming std)	<b>EML*</b> Emergency Battery, Low (900 delivered lumens) <b>EMH*</b> Emergency Battery, High (1250 delivered lumens) <b>*MW Integral &lt;4' - Remote Only</b> <b>PRUBIN</b> Meticulous Binning and Labeling every LED Board within a 2-Step MacAdams Ellipse



Prudential Ltg. reserves the right to change design specifications or materials without notice. Please visit prulite.com for most current data.  
© 2014 All rights reserved - All products manufactured at: Prudential Ltg. 1774 E. 21st Street, Los Angeles, CA 90058

Asymmetric

1

03-05-2019



# MicroWash™ | Asymmetric Wall Wash

## Integral Driver



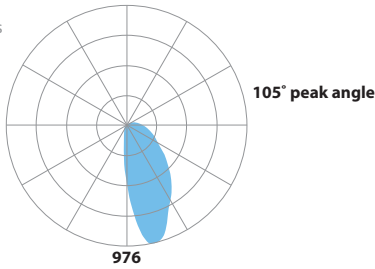
PRUDENTIAL LTG.

PRULITE.COM 213.746.0360

### PHOTOMETRICS

#### Standard Output:

**MW-LED35-50**  
 3499 Delivered Lumens  
 36 Watts  
 96 lm/w  
 3500 CCT  
 Test #L041502001R02



#### Zonal Lumen Summary:

0-90 = 88.50%  
 90-180 = 10.50%

Vertical Angle	0°	25°	45°	65°	90°
0°	976	976	976	976	976
5°	617	649	720	821	971
15°	279	312	384	540	932
25°	114	142	211	348	855
35°	3	24	87	219	745
45°	0	3	3	110	608
55°	0	0	2	22	420
65°	0	0	2	2	221
75°	0	0	1	1	85
85°	0	0	0	1	15
90°	0	0	0	2	1

#### Luminance Chart:

Angle	0°	45°	90°
45°	0	35	9222
55°	0	33	7791
65°	0	36	5473
75°	0	18	3328
85°	0	3	1522

### LUMEN MAINTENANCE

Designed to last with cool running mid-power LEDs projected to maintain 90% (L90) of their initial output for 100,000 hours (at HO), and L70 exceeding 150,000 hours.

#### LED SYSTEM

LED modules and drivers are field replaceable.

#### PROG (OPTIONAL)

Programmable light output. Specify desired lumens or watts per linear foot. Min: 2½ w/ft, consult factory for requests above 12 w/ft.

#### BINNING

Standard binning (all Prudential LED boards) includes testing at the chip level and board integration to provide consistent color temperature within a 3-step MacAdams ellipse. +/- 100 lumens, +/- 100k CCT and +/- .004 Duv.

#### PRUBIN™ (OPTIONAL)

Prudential Ltg's exclusive 'job binning' method that ensures color temperature consistency across all luminaires on a project. Meticulously testing and labeling **EVERY LED BOARD** to +/- 25 lumens, +/- 50k CCT and +/- .004 Duv — while also separating positive from negative — allows us to match color, hue and intensity throughout a project and provides a consistent color temperature within a 2-step MacAdams ellipse.

#### LABELS

ETL damp labeled and I.B.E.W. manufactured.

#### ELECTRICAL

Must specify LED dimming controls. LED fixtures have constant current driver(s) with less than 20% THD when loaded to a minimum of 60%. Drivers sink a maximum of 6mA per driver. DM10 LED drivers are 0-10V dimmable and are compatible with most 0-10V wall slide dimmers and direct 0-10V analog signal dimmers. Max driver size 1¼" w x 1" h.

#### CONSTRUCTION

Housing Extruded aluminum >25% PC recycled, 100% recyclable.

End Caps Die-formed heavy gauge aluminum, >25% PC recycled, 100% recyclable.

Lens Extruded acrylic with PruOptics™ prisms, 100% recyclable.

#### MOUNTING

Surface, cable or stem mounted to walls or ceilings.

#### WEIGHT

2.2 lbs/ft (Integral).

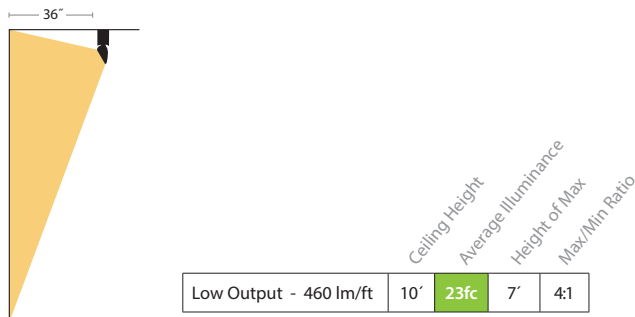
#### WARRANTY

Single-source, 5 year limited warranty covers standard components and construction.

## MicroWash Room Application.

### VERTICAL UNIFORMITY

Through PruOptics™ we are able to achieve excellent light distribution down a wall to highlight artwork or the wall itself. 30" - 36" distance from wall surface recommended for best results.



	18	18	18	CALCULATION NOTES:
10'	18	18	18	MW-LED35-LO
9'	33	33	33	• 3500K at 4.5 w/ft
8'	45	45	45	• 96 lm/w
7'	46	46	46	• .8 LLF (Light Loss Factor)
6'	37	37	37	• 36" set back
5'	29	29	29	
4'	22	22	22	
3'	18	18	18	
2'	15	15	15	
1'	12	12	12	

FOOTCANDLES ON WALL





# MicroWash™ | Asymmetric Wall Wash

## Integral Driver



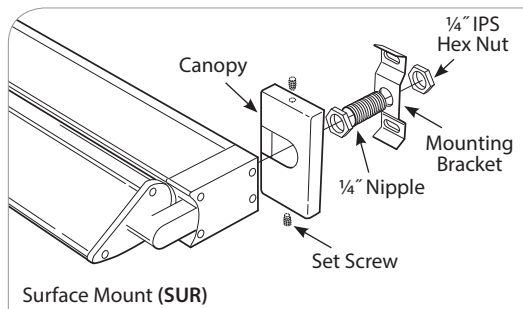
PRUDENTIAL LTG.

PRULITE.COM 213.746.0360

YSW – Seashell White (Matte)	YCH – Champagne (Metallic)
YSL – Silver (Metallic)	YPE – Pewter (Matte)
YRG – Rain Grey (Gloss)	YSTM – Storm Grey (Matte)
YBK – Black (Matte)	YBB – Black (Semi Gloss)
YSKM – Sky (Matte)	YMB – Military Blue (Matte)
YIB – Interstate Blue (Matte)	YSAM – Sapphire (Matte)
YFGM – Forest Green (Matte)	YBR – Bronze (Matte)
YBY – Boysenberry (Matte)	YSRM – Sunset Red (Matte)
YOR – Orange (Matte)	YDAM – Daffodil (Matte)

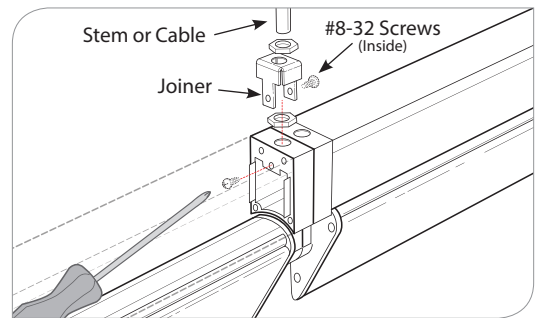


### MOUNTING OPTIONS



Surface Mount (SUR)

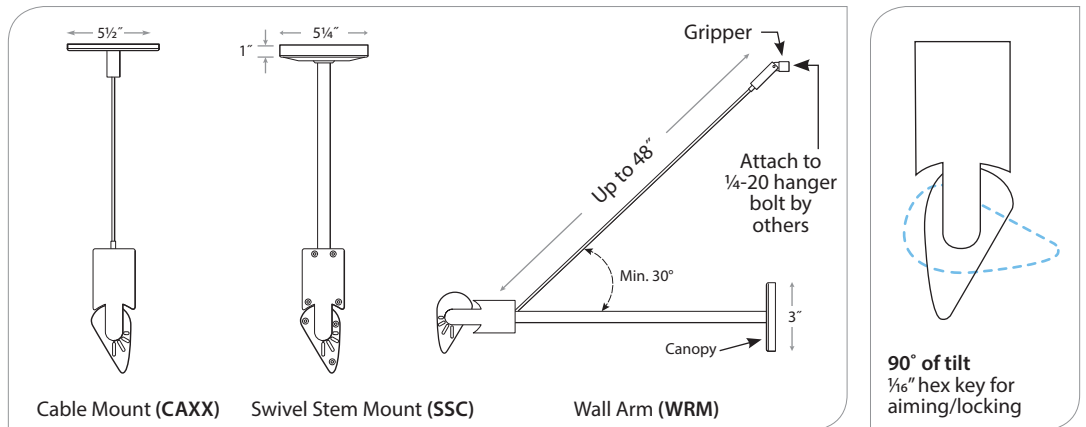
### ADJOINING DETAIL



NOTE: For MicroWash surface mounting to T-Bar, the Erico Caddy (by others) can be used for off-grid mounting.  
[www.erico.com/part.asp?part=512HDFM70&applications=acoustical#cata](http://www.erico.com/part.asp?part=512HDFM70&applications=acoustical#cata)

Choose from one of our Premium Colors with no set-up fee.

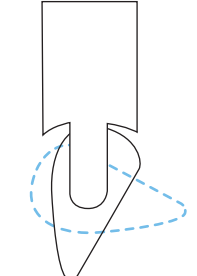
For paint chip samples, please email: [info@prulite.com](mailto:info@prulite.com)



Cable Mount (CAXX)

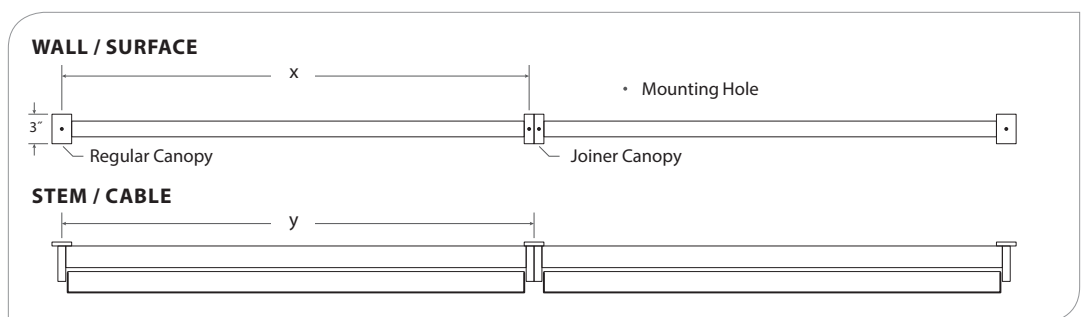
Swivel Stem Mount (SSC)

Wall Arm (WRM)



90° of tilt  
1/16" hex key for aiming/locking

### MOUNTING LOCATIONS



	Mounting Holes		Actual Fixture Length
	X	Y	
1' =	13 1/4"	13 3/8"	14"
2' =	23 3/4"	24 1/8"	24 1/2"
3' =	35 1/4"	35 5/8"	36"
4' =	47 1/4"	47 5/8"	48"
6' =	71 1/4"	71 5/8"	72"
8' =	95 1/4"	95 5/8"	96"



Prudential Ltg. reserves the right to change design specifications or materials without notice. Please visit [prulite.com](http://prulite.com) for most current data.  
 © 2014 All rights reserved – All products manufactured at: Prudential Ltg. 1774 E. 21st Street, Los Angeles, CA 90058

Asymmetric

3

03-05-2019