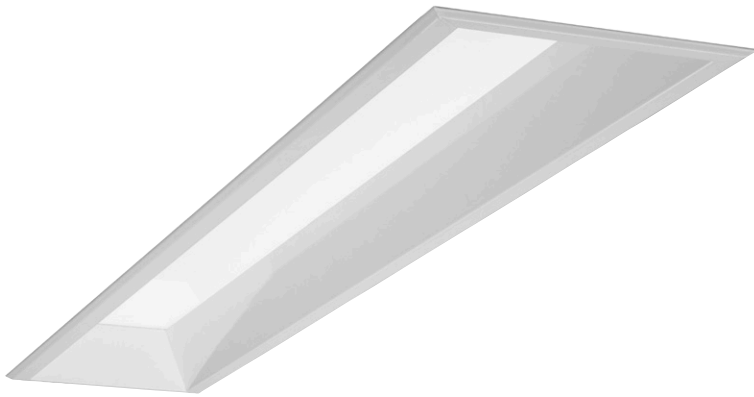


P62 | Recessed Linear

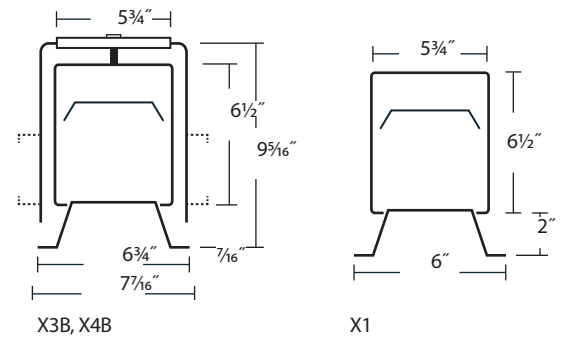


Type:

Job:

A narrow recessed luminaire with a 2" smooth splay regress.

P62 can be installed as a individual luminaire or in continuous rows. An understated simple fixture ideal for illuminating open offices, retail, healthcare and schools that is designed to fit a variety of different ceiling types. P62 comes with an option for three different shielding materials-clear prismatic acrylic lens, white acrylic diffuser and Optiglow™ linear striated prismatic lens.



P62-2T8-04-PRA-JW
2950 Lamp Lumens
56 Input Watts

41%
EFFICIENCY

SERIES	LAMP ROWS	NOMINAL LENGTH	SHIELDING	COLOR/ FINISH	CIRCUITING	VOLTAGE	CEILING SYSTEMS	OPTIONS
P62	1T8 2T8	2' 3' 4' 6' 8' R_ (Row length) <i>Note:</i> Individual fixtures are not intended for row mounting	PRA Prismatic Acrylic Lens WA White Acrylic LPA Optiglow™ Linear Prismatic Lens	JW Smooth Frame White (Standard) JB Smooth Frame Black	SC Single Circuit DC Dual Circuit (in-line) (2T8 only)	120 277 347 UNV (120-277)	X1 T-Bar Exposed (Standard) X3B Hard Ceiling (Overhead mounting bracket 3/4" flange) X4B Hard Ceiling ("C" Channel)	CR Continuous-Row Installation EML* Emergency Battery, Low (600-700 delivered lumens) EMH* Emergency Battery, High (1100-1400 delivered lumens) DM Dimming (Specify manufacturer, voltage and other requirements) RSE Rapid-Start Electronic 10THD Ballast with <10% Total Harmonic Distortion B_ Specific Ballast (Specify manufacturer and catalog number) FH Fixture Fusing (Slow blow) CP Chicago Plenum <i>*Consult factory for fixture lengths < 4'</i>



PHOTOMETRICS

P-62-2T8-04-PRA-JW

Report #LSI15365

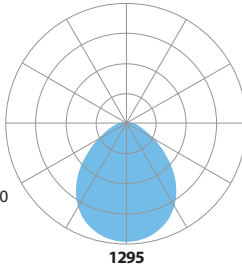
D=100% I=0.0%

Spacing Criteria:

Across 1.2, Along 1.1

2950 Lamp Lumens

56 Input Watts



Zonal Lumen Summary:

0-90 41.30 100.00

90-180 0.00 0.00

Efficiency = 41.3%

Candlepower Summary

Vertical Angle	0	22.5	45	67.5	90
0	1295	1295	1295	1295	1295
5	1291	1292	1283	1277	1278
10	1274	1269	1254	1244	1244
15	1242	1232	1211	1195	1193
20	1196	1181	1157	1131	1123
25	1135	1120	1084	1033	1017
30	1057	1042	984	899	865
35	960	949	859	741	709
40	847	833	705	595	570
45	722	692	559	462	441
50	585	540	423	338	326
55	462	403	303	246	232
60	348	284	203	167	154
65	254	192	132	101	81
70	191	125	77	43	42
75	140	76	32	28	27
80	95	27	18	16	17
85	31	6	6	7	6
90	0	0	0	0	0

APPLICATIONS

Open and small offices, corridors, retail, healthcare, schools.

CONSTRUCTION

The housing, available in 2-, 3-, 4-, 6- or 8- foot standard lengths, is made of die-formed, 20-gauge steel. The regressed door frame is extruded aluminum.

FINISH

The standard housing color is gloss white (YGW) using polyester powder paint. The standard doorframe color is gloss white (YGW) or matte black (YBB) as specified in ordering example.

ELECTRICAL

T8 fixtures have instant-start electronic ballasts with less than 20% THD. Fixtures are U.L. Damp labeled and I.B.E.W. manufactured. Maximum ballast size available: 2.4" width x 1.5" height.

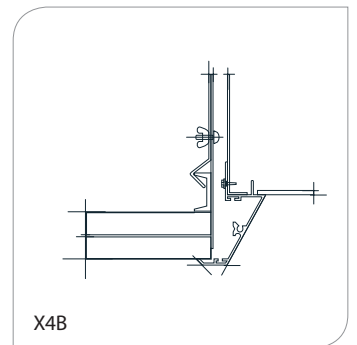
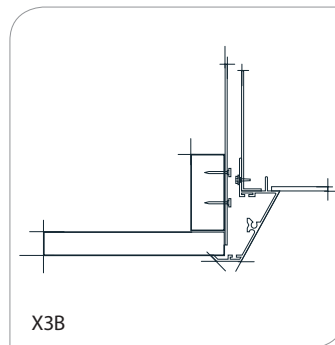
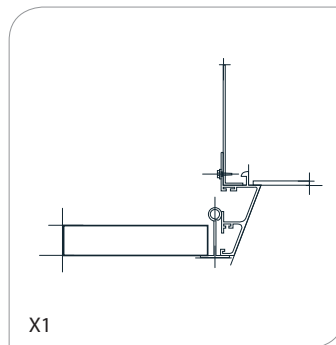
MOUNTING

Fixture is to be recess-mounted into exposed T-bar or hard ceiling application(s).

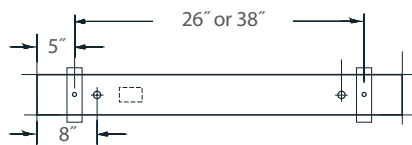
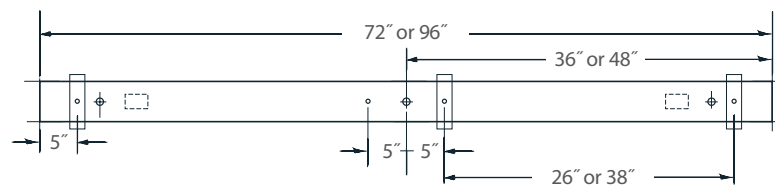




CEILING SYSTEMS



MOUNTING LOCATIONS



- Mounting Hole
- ⊕ 7/8" Wiring K.O.
- J-Box Access

Framing Dimensions X3B & X4B

Add 1/2" in fixture length
 Add 1/2" in fixture width
 For rows add 1" in total fixture lengths