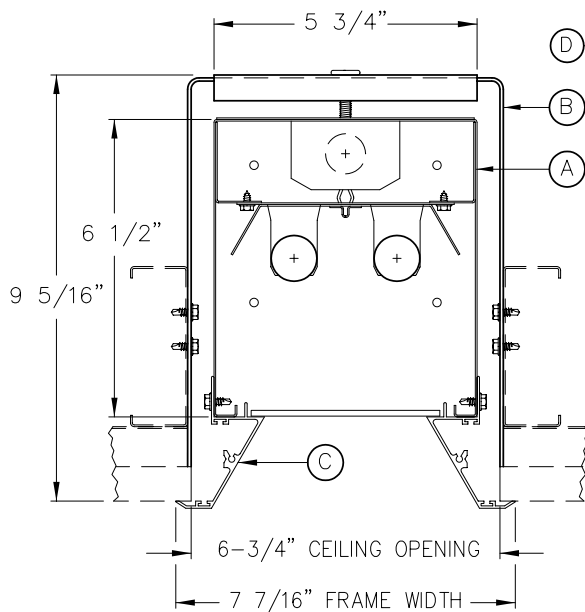
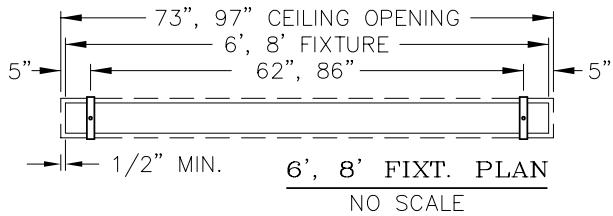
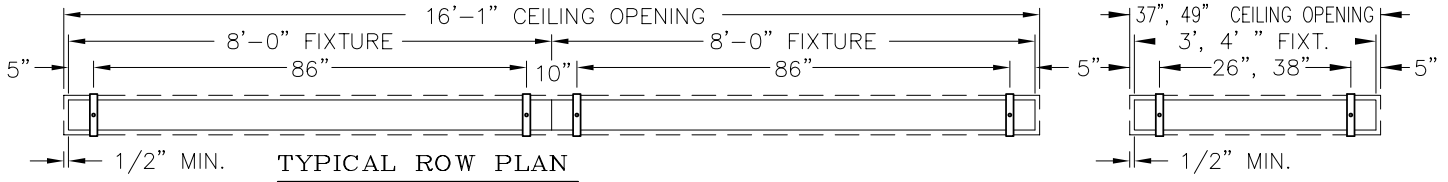


# P-62 SERIES HARD CEILING INSTALLATION INSTRUCTIONS

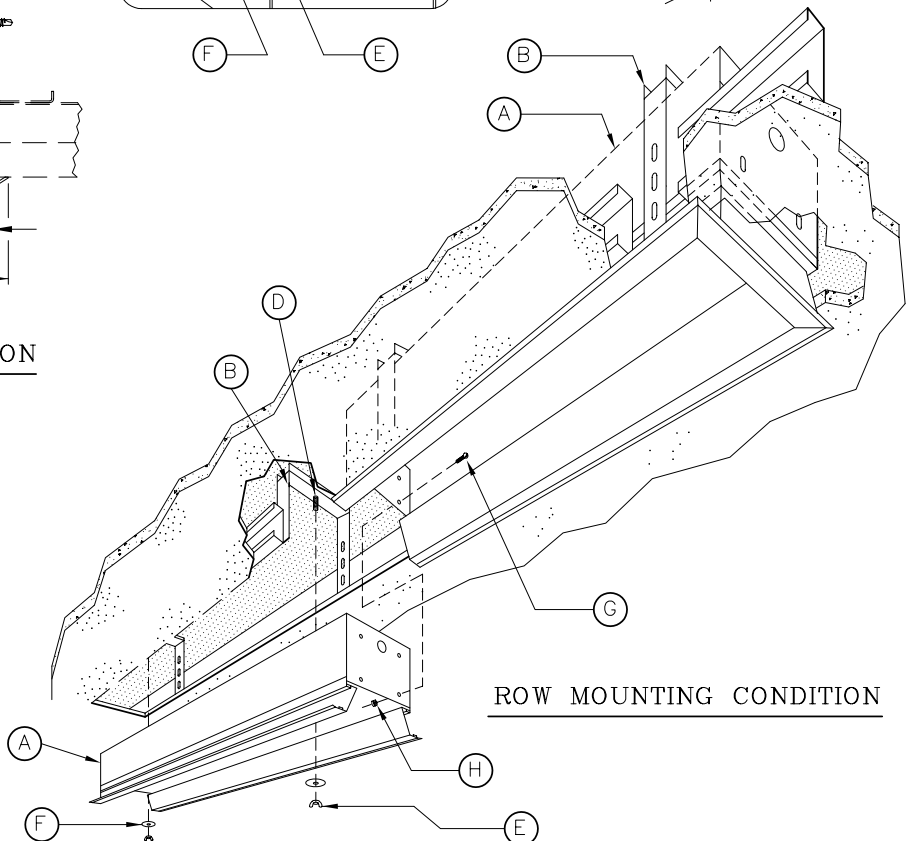
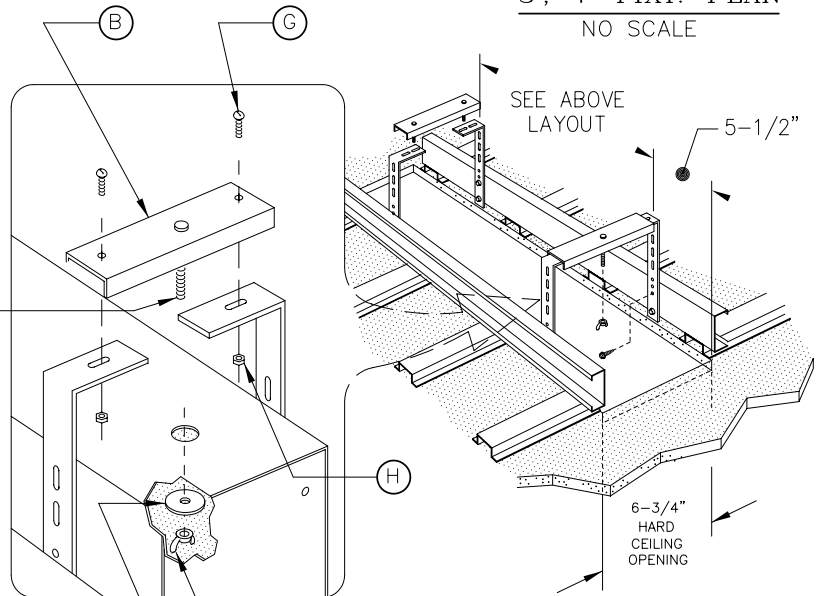
**GENERAL NOTE:** LENGTH OF CEILING OPENING IS FIXTURE ROW LENGTH PLUS 1/2" ON EACH END.



**HOUSING CROSS SECTION**

## HARDWARE DESCRIPTION

- (A) MODULAR HOUSING
- (B) MOUNTING BRACKET ASSEMBLY KIT
- (C) 2" EXTRUDED TRIM
- (D) 1/4-20 X 2-1/2" BOLT
- (E) 1/4 - 20 WING NUT
- (F) 1/4" FENDER WASHER
- (G) #8 - 32 X 1/2" SCREW
- (H) #8 - 32 HEX NUT



**PRUDENTIAL LTG . WWW.PRULITE.COM**

1774 EAST 21ST STREET L.A. CA 90058  
TEL. (213)746-0360 FAX (213)746-8838

DRAWN BY: S.P.H. DATE: 11/29/07

CHK. DATE:

DWG. No.

42174

DISK No. ZD3

REV.