

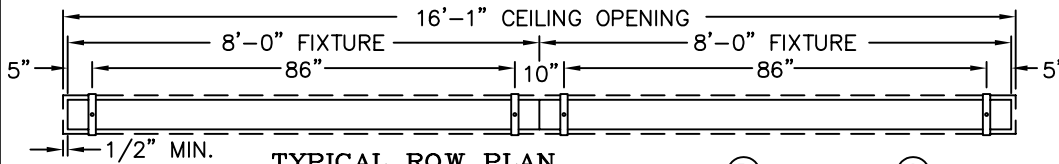
P-63 SERIES X3B CEILING INSTALLATION INSTRUCTIONS

GENERAL NOTE:

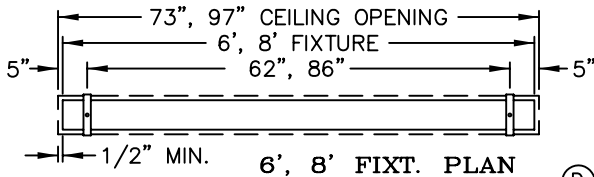
- 1- LENGTH OF CEILING OPENING IS FIXTURE ROW LENGTH PLUS 1/2" ON EACH END.
- 2- FOR CONTINUOUS ROW MOUNTING SEE LAYOUT OF ROWS/ PATTERN FOR CEILING OPENING DIMENSION AND MOUNTING BRACKET, LOCATION DETAILS.

WARNING:

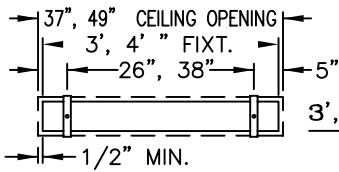
GROUND FIXTURE IN ACCORDANCE WITH LOCAL AND NATIONAL CODES. FAILURE TO DO SO MAY RESULT IN SERIOUS PERSONAL INJURY.



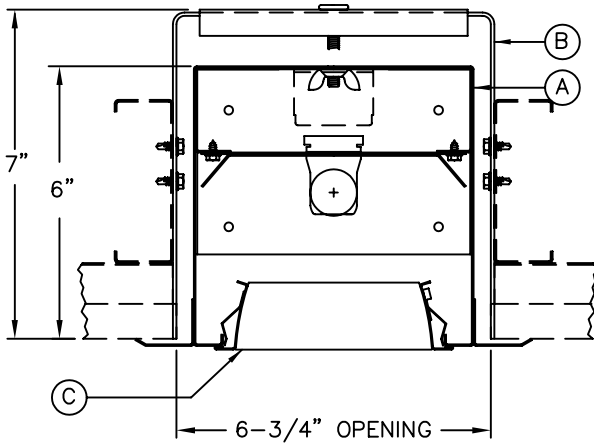
TYPICAL ROW PLAN
NO SCALE



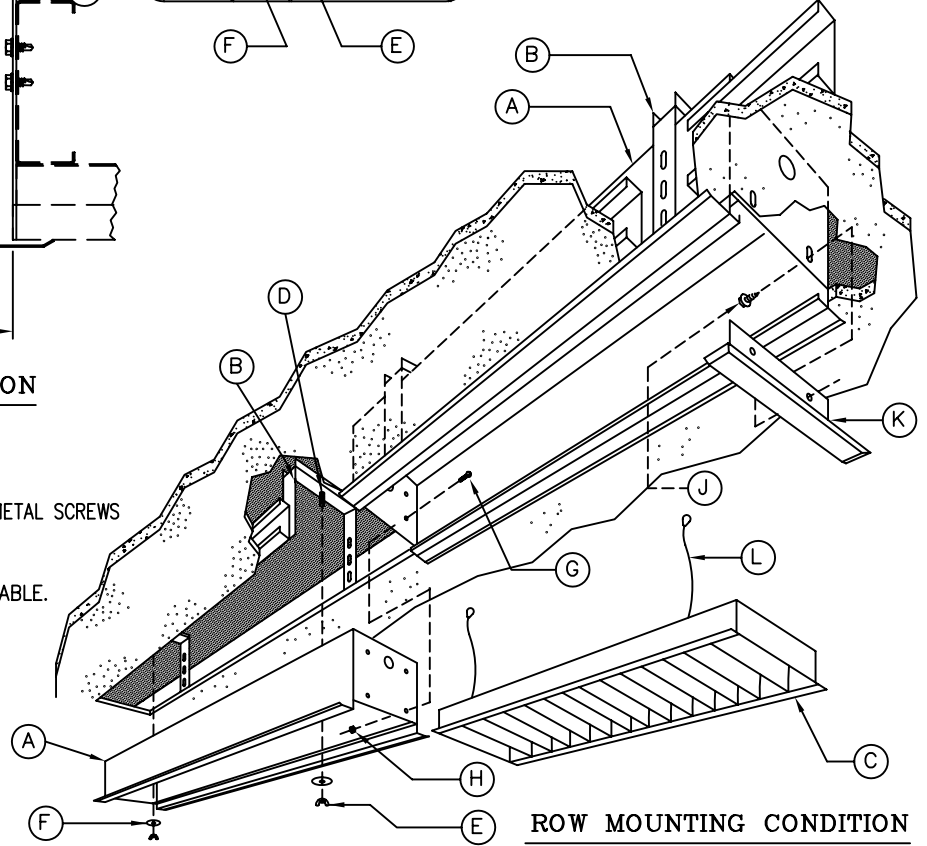
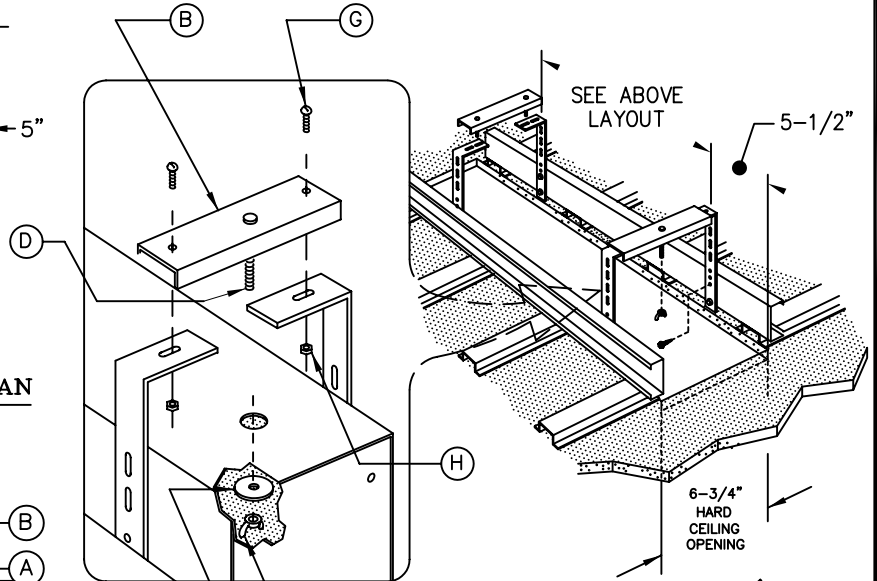
6', 8' FIXT. PLAN
NO SCALE



3', 4' FIXT. PLAN
NO SCALE



HOUSING CROSS SECTION



ROW MOUNTING CONDITION

HARDWARE DESCRIPTION

- (A) MODULAR HOUSING
- (B) MOUNTING BRACKET ASSEMBLY KIT
- (C) LOUVER / LENS
- (D) 1/4-20 X 2-1/2" BOLT
- (E) 1/4 - 20 WING NUT
- (F) 1/4" FENDER WASHER
- (G) #8 - 32 X 1/2" SCREW
- (H) #8 - 32 HEX NUT
- (J) #8 X 3/8" SHEET METAL SCREWS
- (K) END TRIM FLANGE
- (L) LOUVER SAFETY CABLE.



PRUDENTIAL LTG. WWW.PRULITE.COM

1774 EAST 21ST STREET L.A. CA 90058
TEL. (213)746-0360 FAX (213)746-8838

DRAWN BY: S.P.H.
DATE: 6/6/08
CHK. DATE:

DWG. No. 42184

DISK No. ZD3
REV.