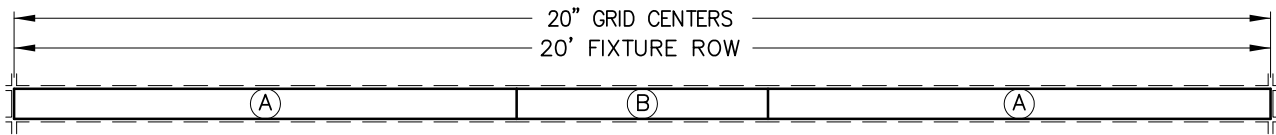


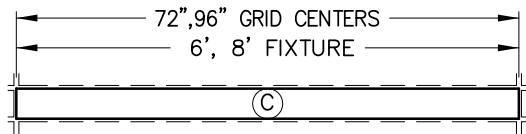
P-63 SERIES X1 CEILING INSTALLATION INSTRUCTIONS

NOTE: LENGTH OF HOUSING/ROWS IS EQUAL CEILING GRID CENTERS. START/END HOUSINGS ARE NOTCHED ON ONE END TO COMPENSATE FOR TOP OF GRID. INDIVIDUAL HOUSINGS ARE NOTCHED IN BOTH ENDS. (SEE FIGURE 2. DETAIL).

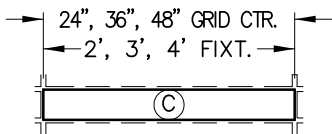
WARNING: GROUND FIXTURE IN ACCORDANCE WITH ALL LOCAL AND NATIONAL CODES. FAILURE TO DO SO MAY RESULT ON SERIOUS PERSONAL INJURY.



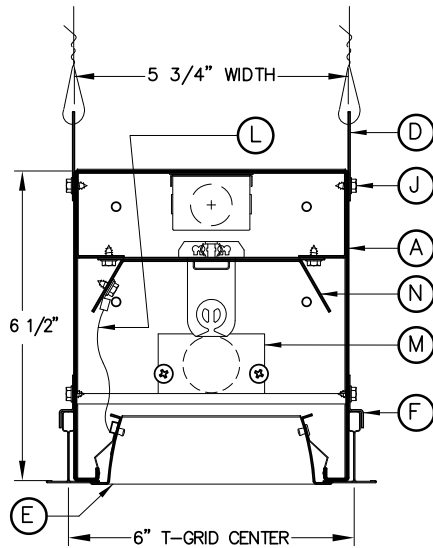
TYPICAL ROW PLAN
NO SCALE



6', 8' FIXT. PLAN
NO SCALE



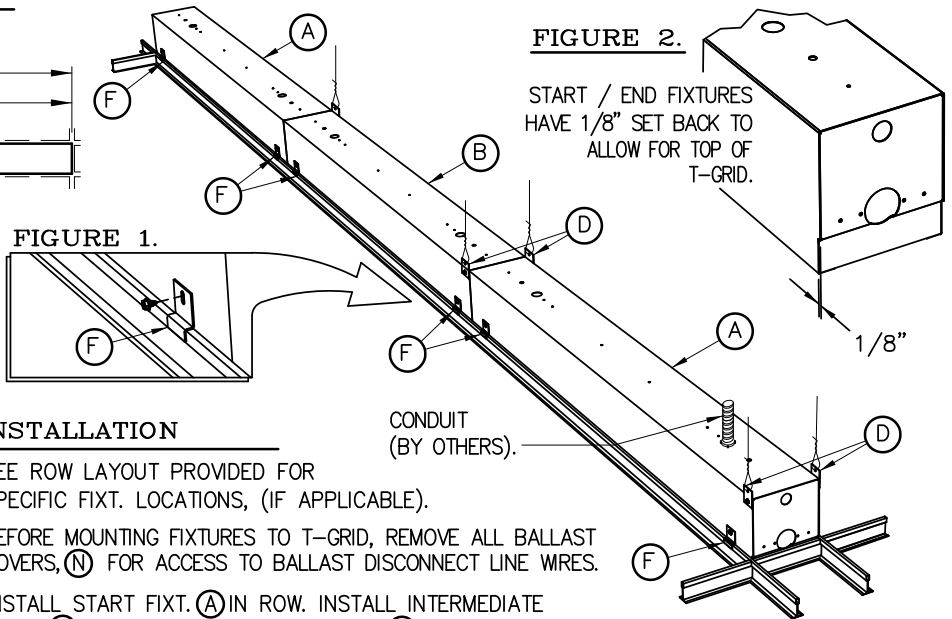
2', 3', 4' FIXT. PLAN
NO SCALE



HOUSING CROSS SECTION

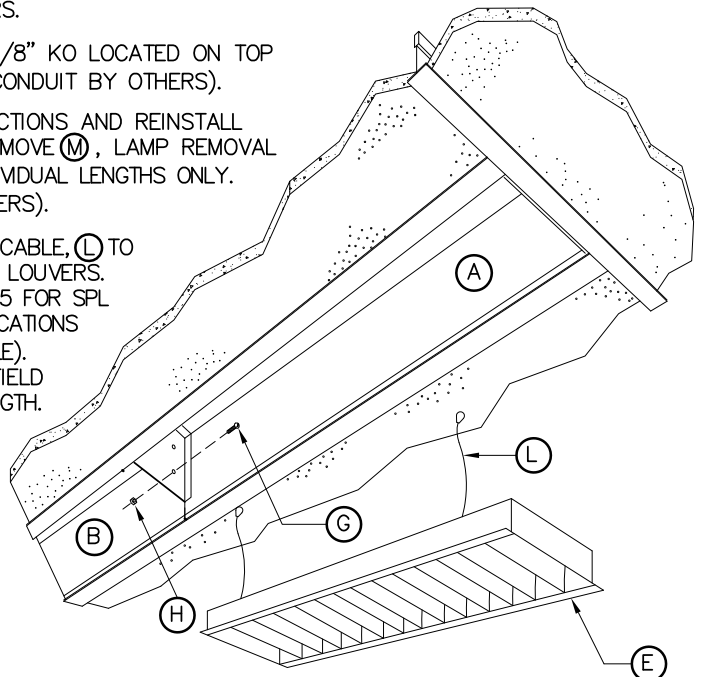
PARTS LIST DESCRIPTION

- (A) HOUSING ASS'Y. START/END (H) #8 - 32 HEX NUT
- (B) HOUSING ASS'Y. INTERMEDIATE (J) #8 X 3/8" SHEET METAL SCREWS
- (C) HOUSING ASS'Y. INDIVIDUAL (K) END TRIM FLANGE
- (D) WIRE SUPPORT TAB (L) LOUVER SAFETY CABLE.
- (E) LOUVER / LENS (M) LAMP REMOVAL PLATE.
- (F) T-BAR CLAMP (2', 3', 4' INDIVIDUALS ONLY).
- (G) #8-32 X 1/2" SCREW (N) BALLAST COVER.



INSTALLATION

SEE ROW LAYOUT PROVIDED FOR SPECIFIC FIXT. LOCATIONS, (IF APPLICABLE).
 BEFORE MOUNTING FIXTURES TO T-GRID, REMOVE ALL BALLAST COVERS, (N) FOR ACCESS TO BALLAST DISCONNECT LINE WIRES.
 INSTALL START FIXT. (A) IN ROW. INSTALL INTERMEDIATE FIXT. (B) IN ROW. INSTALL END FIXT. (A).
 COUPLE FIXTURES TOGETHER W/ (G), & (H), PROVIDED. ATTACH (F), T-BAR CLAMPS TO FIXT. SIDES. TIE WIRE SUPPORT TABS TO STRUCTURAL MEMBER WITH WIRE PROVIDED BY OTHERS.
 USE CONDUIT THROUGH 7/8" KO LOCATED ON TOP OR END OF FIXT. ROW. (CONDUIT BY OTHERS).
 MAKE ALL POWER CONNECTIONS AND REINSTALL BALLAST COVERS, (N). REMOVE (M), LAMP REMOVAL PLATE FROM 2', 3', 4' INDIVIDUAL LENGTHS ONLY. INSTALL LAMPS. (BY OTHERS).
 ATTACH LOUVER SAFETY CABLE, (L) TO BALLAST COVER. INSTALL LOUVERS. REFER TO DRAWING #47705 FOR SPL LOUVER LENGTHS, AND LOCATIONS WITHIN ROW. (IF APPLICABLE). BLW LOUVERS MUST BE FIELD TRIMMED TO REQUIRED LENGTH.



LOUVER INSTALLATION



1774 EAST 21ST STREET L.A. CA 90058
 TEL. (213)746-0360 FAX (213)746-8838
PRUDENTIAL LTG . WWW.PRULITE.COM

DRAWN BY: S.P.H.	DATE 12/3/13
CHK.	DATE

DWG. No. 88031

DISK No. VAULT
REV.