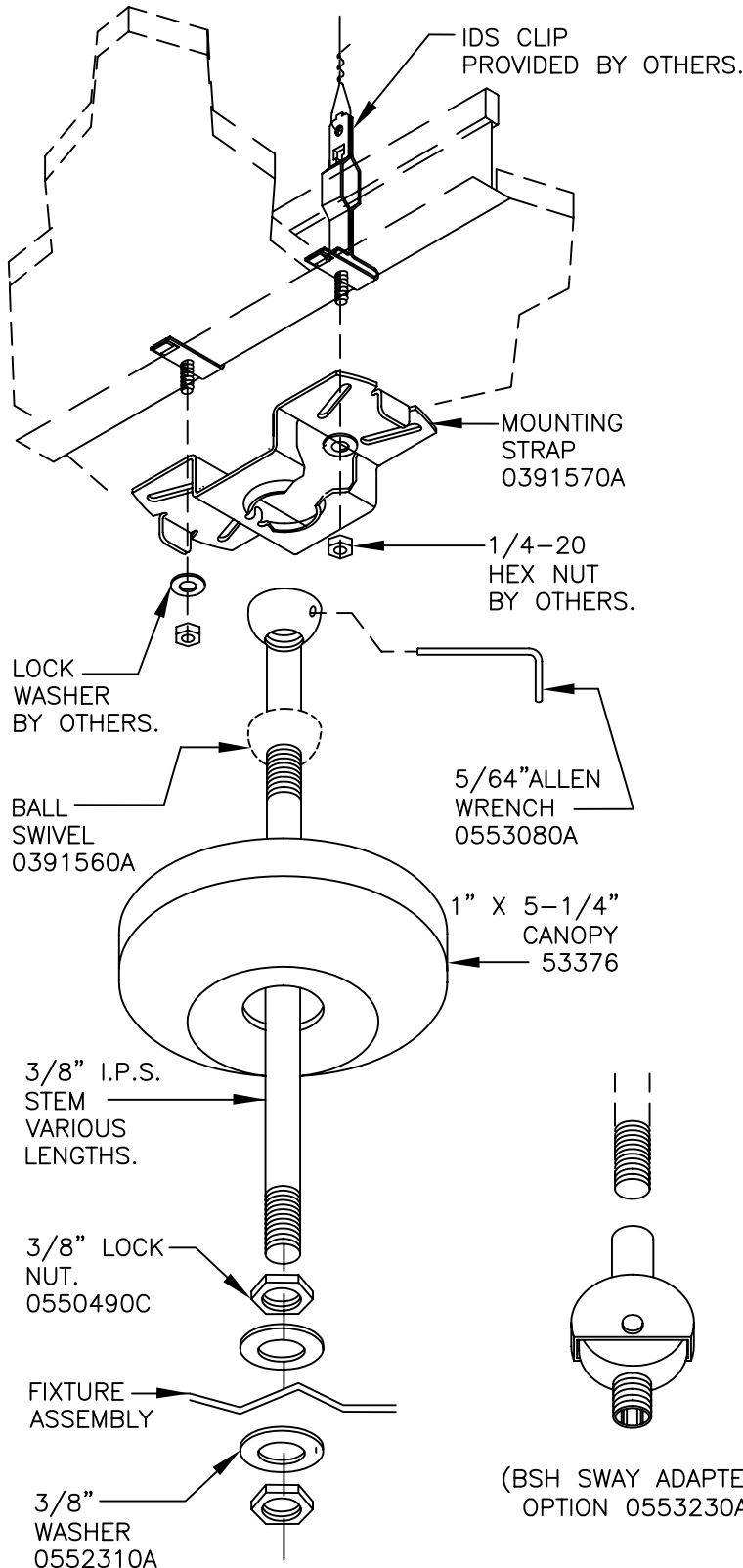


SSC/GRID CEILING (X1) NON-FEED INSTALLATION INSTRUCTIONS

WARNING:

GROUND FIXTURE IN ACCORDANCE WITH LOCAL AND NATIONAL ELECTRICAL CODES. FAILURE TO DO SO MAY RESULT IN SERIOUS PERSONAL INJURY.

SUPPORTS MAXIMUM WEIGHT OF 50 LBS.



STEP 1 ATTACH (2) IDS CLIPS ONTO T-GRID CEILING SYSTEM.

STEP 2 SCREW BALL SWIVEL TO ONE END OF THREADED STEM. SECURE IN PLACE WITH SET SCREW. INSERT OTHER END OF STEM THROUGH HOLE IN CANOPY AND FASTEN TO FIXTURE WITH 3/8" I.P.S. LOCK NUTS AND WASHERS PROVIDED.

STEP 3 RAISE FIXTURE ASSEMBLY TO CEILING. INSERT BALL SWIVEL INTO MOUNTING STRAP.

STEP 4 HAND PRESS CANOPY ONTO MOUNTING STRAP.

PARTS LIST		
0391570A	#14 GAUGE MOUNTING STRAP	1
0391560A	3/8" I.P.S. BALL SWIVEL	1
0553080A	5/64" ALLEN WRENCH	1
53376	1" X 5-1/4" DIAMETER CANOPY	1
0552310A	3/8" X 7/8" PLAIN WASHER	2
0550490C	3/8" LOCK NUT	2
0531680A	BSH SWAY ADAPTER (OPTIONAL)	1
3/8" I.P.S. THREADED STEM (VARIOUS LENGTHS)		
0531440A	6" LONG THREADED ENDS	
0531460A	12" LONG THREADED ENDS	
0531480A	18" LONG THREADED ENDS	
0531490A	24" LONG THREADED ENDS	
0531500A	30" LONG THREADED ENDS	
0531510A	36" LONG THREADED ENDS	
0531540A	48" LONG THREADED ENDS	
0531580A	60" LONG THREADED ENDS	
0531590A	72" LONG THREADED ENDS	
0531610A	96" LONG THREADED ENDS	



1774 EAST 21ST STREET L.A. CA 90058
TEL. (213)746-0360 FAX (213)746-8838

PRUDENTIAL LTG. WWW.PRULITE.COM

DRAWN BY: S.P.H. DATE: 9/17/09

DWG. No.

45485

DISK No. ZD3

CHK. DATE

REV. A