



Stream™ Dot | Recessed Square & Round

INSTALLATION INSTRUCTIONS

X3 (FLANGED HARD CEILING)

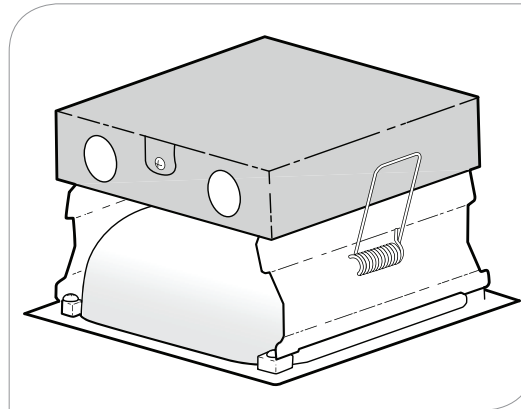
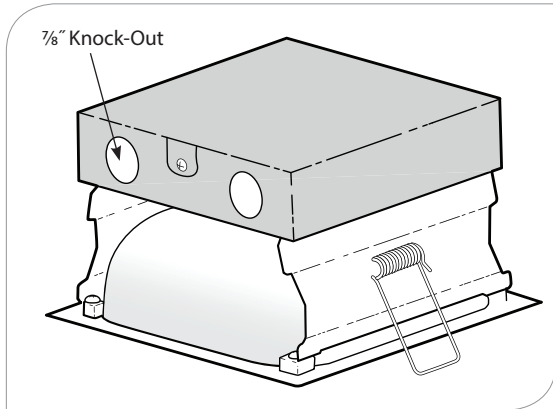


PRUDENTIAL LTG.

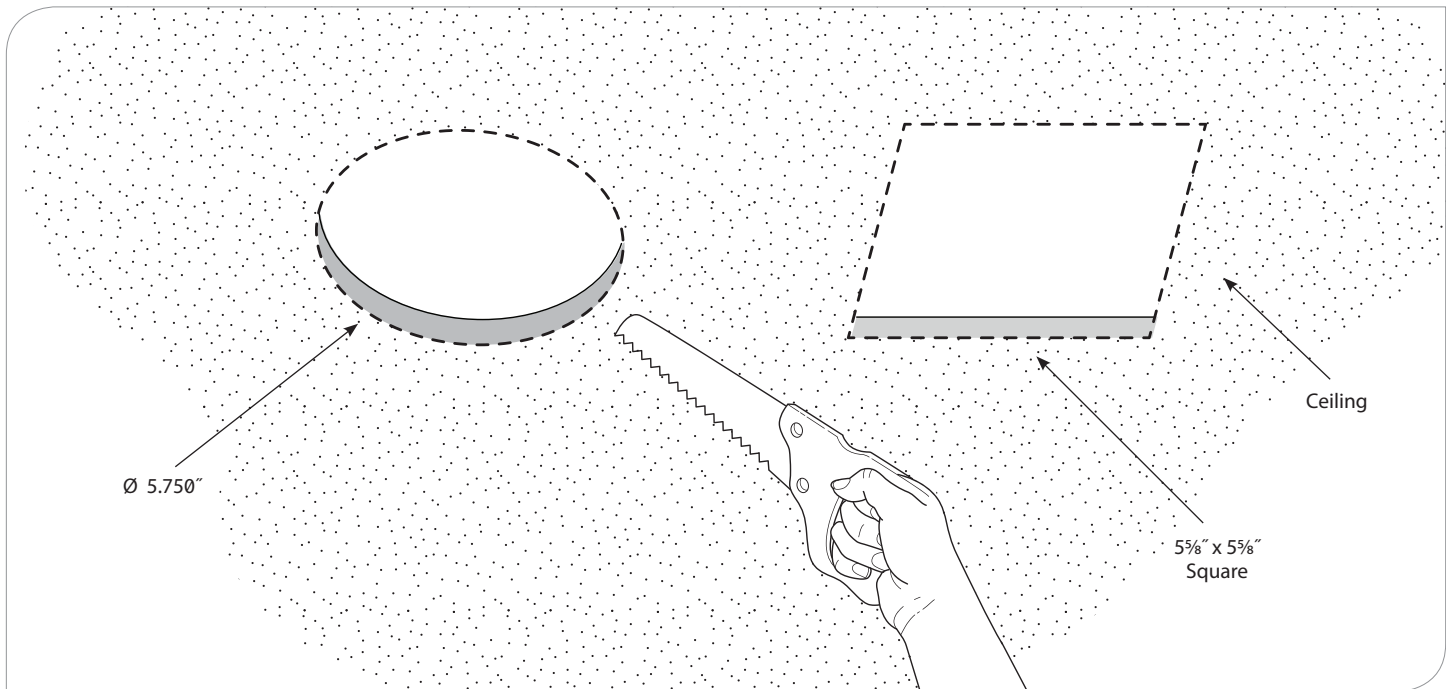
PRULITE.COM 213.746.0360

GENERAL INSTALLATION

1. Cut opening in the ceiling. LED module has minimal flange, ceiling opening must be cut within $\pm 1/32$ " of stated size.
2. Open top cover of box on LED module to access wiring connections.
3. Run supply wire through knock-out using appropriate strain relief.
4. Connect supply wires and close box.
5. Rotate box spring upward to allow passage through cutout in ceiling until the flange is flush against the ceiling. The springs will rotate back and hold module in place.



WARNING: Spring clips may injure fingers if holding outside edge of frame. Remove fixture by holding **INSIDE LIP** of frame and pull away from ceiling/wall.



This product must be installed in accordance with the applicable installation code by a person familiar with the construction and operation of the product and hazards involved.

Ce produit doit être installé selon le code d'installation pertinent, par une personne qui connaît bien le produit et son fonctionnement ainsi que risques inhérents.

WARNING: Ground fixture in accordance with local and national electrical codes. Failure to do so may result in serious personal injury.