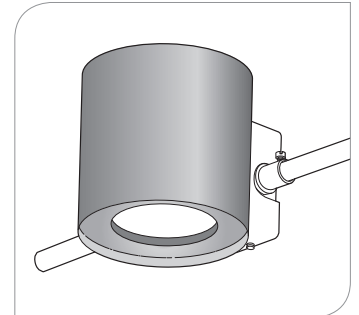
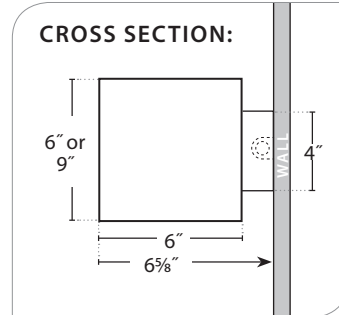
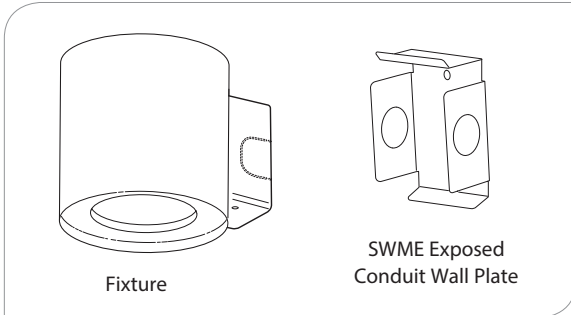




INSTALLATION INSTRUCTIONS

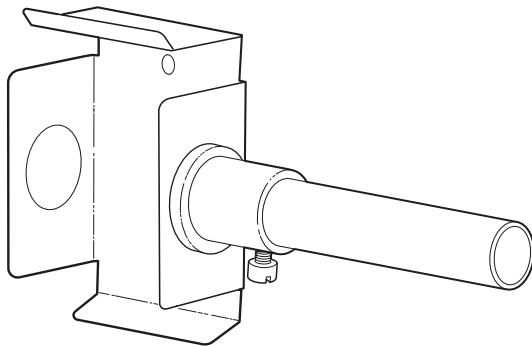
SCONCE WALL MOUNT (SWME)

PARTS LIST

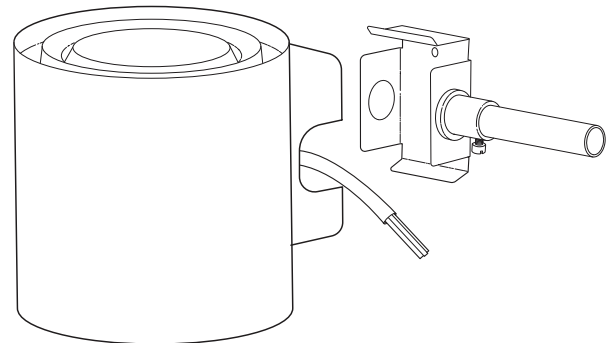


INSTALLATION

- 1)**
- Mount wall bracket using mounting screws (by others).
 - Attach rigid conduit to wall bracket.



- 2)**
- Make wire connections.
 - Remove necessary opening tabs on fixture for clearance of conduit.
 - Mount fixture on wall bracket and tighten set screw.



WIRING:

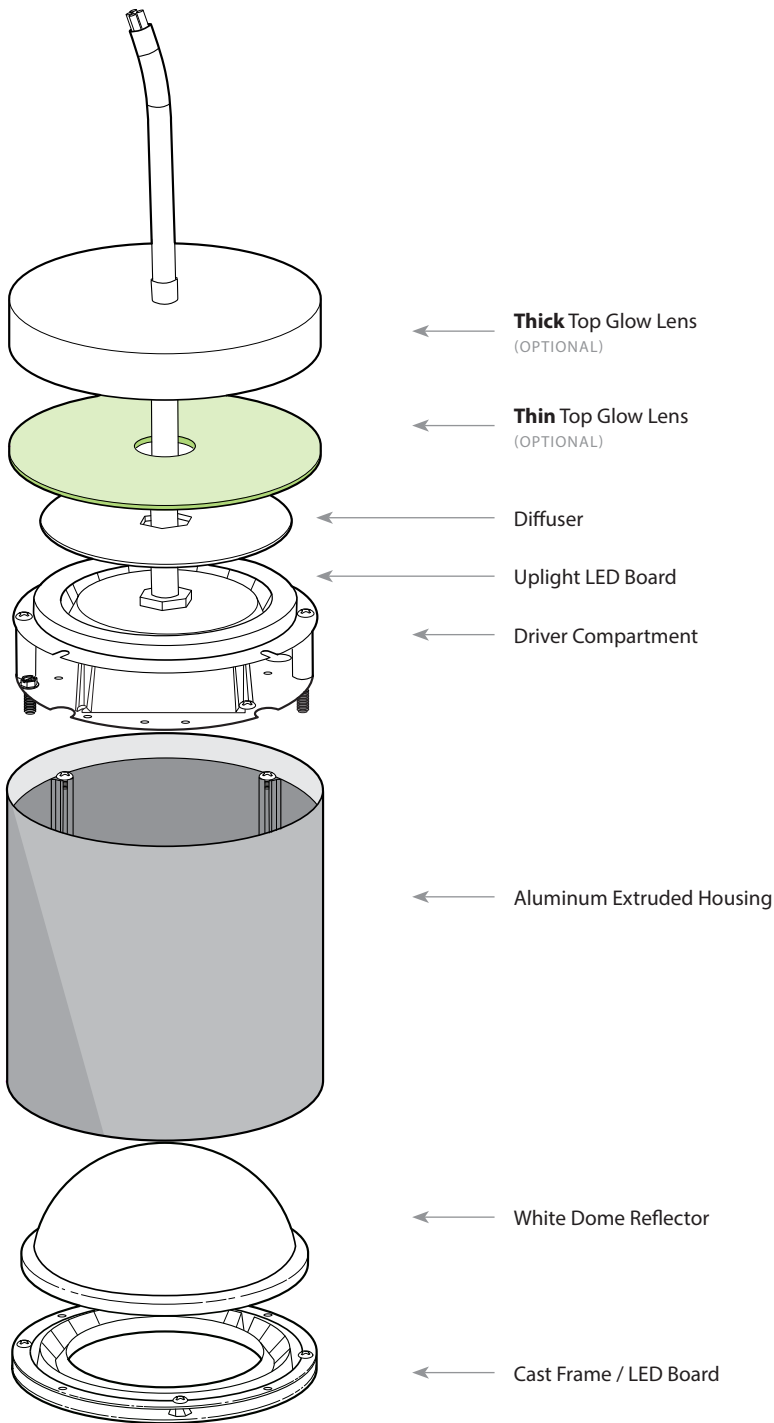
- BLACK: LINE
- WHITE: NEUTRAL
- GREEN: GROUND
- BLUE: 0-10V-
- RED: 0-10V+

WARNING: Ground fixture in accordance with local and national electrical codes. Failure to do so may result in serious personal injury.



INSTALLATION INSTRUCTIONS

EXPLODED VIEW



WARNING: Ground fixture in accordance with local and national electrical codes. Failure to do so may result in serious personal injury.